

TASCAM

TEAC Professional Division

D00994501B

VL-A4/VL-A5 VL-A8/LF-S8

BI-AMPLIFIED NEARFIELD STUDIO MONITOR

OWNER'S MANUAL

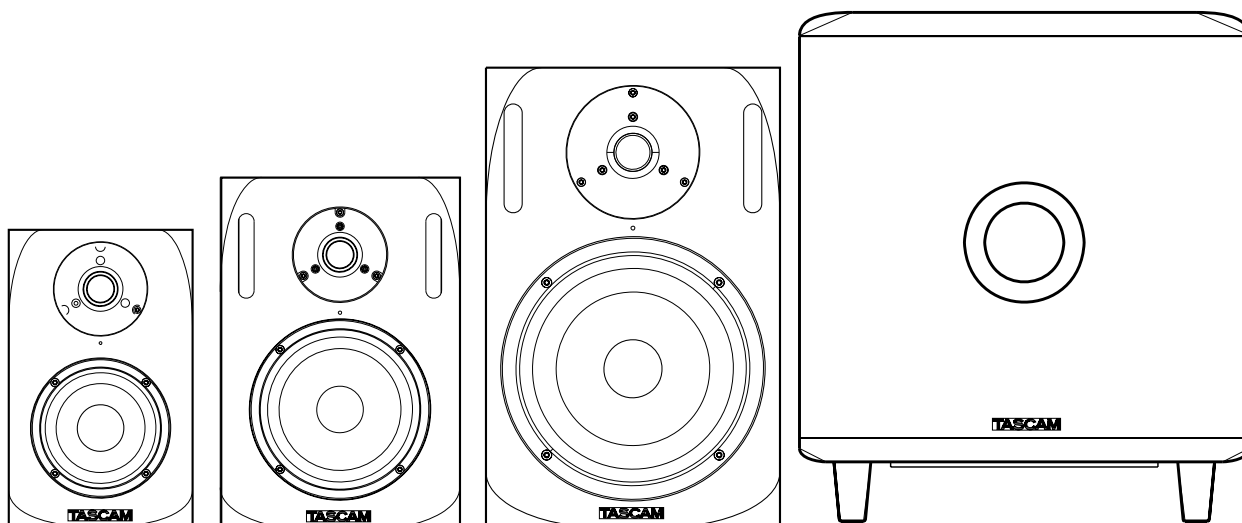
BEDIENUNGSANLEITUNG

MANUEL DU PROPRIÉTAIRE

MANUALE DI ISTRUZIONI

MANUAL DEL USUARIO

取扱説明書



ENGLISH

DEUTSCH

FRANÇAIS

ITALIANO

ESPAÑOL

日本語

IMPORTANT SAFETY INSTRUCTIONS



CAUTION: TO REDUCE THE RISK OF ELECTRIC SHOCK, DO NOT REMOVE COVER (OR BACK). NO USER-SERVICEABLE PARTS INSIDE. REFER SERVICING TO QUALIFIED SERVICE PERSONNEL.



The lightning flash with arrowhead symbol, within equilateral triangle, is intended to alert the user to the presence of uninsulated “dangerous voltage” within the product’s enclosure that may be of sufficient magnitude to constitute a risk of electric shock to persons.



The exclamation point within an equilateral triangle is intended to alert the user to the presence of important operating and maintenance (servicing) instructions in the literature accompanying the appliance.

This appliance has a serial number located on the rear panel. Please record the model number and serial number and retain them for your records.

Model number _____
Serial number _____

WARNING: TO PREVENT FIRE OR SHOCK HAZARD, DO NOT EXPOSE THIS APPLIANCE TO RAIN OR MOISTURE.

ENGLISH

For U.S.A. _____

TO THE USER

This equipment has been tested and found to comply with the limits for a Class B digital device, pursuant to Part 15 of the FCC Rules. These limits are designed to provide reasonable protection against harmful interference in a residential installation. This equipment generates, uses, and can radiate radio frequency energy and, if not installed and used in accordance with the instruction manual, may cause harmful interference to radio communications.

However, there is no guarantee that interference will not occur in a particular installation. If this equipment does cause harmful interference to radio or television reception, which can be determined by turning the equipment off and on, the user is encouraged to try to correct the interference by one or more of the following measures.

- a) Reorient or relocate the receiving antenna.
- b) Increase the separation between the equipment and receiver.
- c) Connect the equipment into an outlet on a circuit different from that to which the receiver is connected.
- d) Consult the dealer or an experienced radio/TV technician for help.

CAUTION

Changes or modifications to this equipment not expressly approved by TEAC CORPORATION for compliance could void the user’s authority to operate this equipment.

IMPORTANT SAFETY INSTRUCTIONS

- 1 Read these instructions.
 - 2 Keep these instructions.
 - 3 Heed all warnings.
 - 4 Follow all instructions.
 - 5 Do not use this apparatus near water.
 - 6 Clean only with dry cloth.
 - 7 Do not block any ventilation openings. Install in accordance with the manufacturer's instructions.
 - 8 Do not install near any heat sources such as radiators, heat registers, stoves, or other apparatus (including amplifiers) that produce heat.
 - 9 Do not defeat the safety purpose of the polarized or grounding-type plug. A polarized plug has two blades with one wider than the other. A grounding type plug has two blades and a third grounding prong. The wide blade or the third prong are provided for your safety. If the provided plug does not fit into your outlet, consult an electrician for replacement of the obsolete outlet.
 - 10 Protect the power cord from being walked on or pinched particularly at plugs, convenience receptacles, and the point where they exit from the apparatus.
 - 11 Only use attachments/accessories specified by the manufacturer.
 - 12 Use only with the cart, stand, tripod, bracket, or table specified by the manufacturer, or sold with the apparatus. When a cart is used, use caution when moving the cart/apparatus combination to avoid injury from tip-over.
- Do not expose this apparatus to drips or splashes.
 - Do not place any objects filled with liquids, such as vases, on the apparatus.
 - Do not install this apparatus in a confined space such as a book case or similar unit.
 - The apparatus draws nominal non-operating power from the AC outlet with its POWER switch in the off position.
 - The apparatus should be located close enough to the AC outlet so that you can easily grasp the power cord plug at any time.
 - An apparatus with Class I construction shall be connected to an AC outlet with a protective grounding connection.
 - Excessive sound pressure from earphones and headphones can cause hearing loss.
 - The apparatus draws nominal non-operating power from the AC outlet with its STANDBY/ON in the Standby position.



- 13 Unplug this apparatus during lightning storms or when unused for long periods of time.
- 14 Refer all servicing to qualified service personnel. Servicing is required when the apparatus has been damaged in any way, such as power-supply cord or plug is damaged, liquid has been spilled or objects have fallen into the apparatus, the apparatus has been exposed to rain or moisture, does not operate normally, or has been dropped.

Table of contents

1- INTRODUCTION	4	3- NAMES AND FUNCTIONS	8
Main Features	4	VL-A4/VL-A5/VL-A8	8
Supplied Accessories	4	LF-S8	9
Environmental Precautions	5	Dimensions	50
Product Care	5	Specifications	51
2- CONNECTION AND INSTALLATION	6	Block Diagram	52
Precautions for Connection	6		
Connection	6		
Installation	6		
Installing the VL-A's.....	6		
Installing a Subwoofer	7		
Surround Setup	7		
Tweeter Output Unit Protective Function (VL-A5/VL-A8).....	7		

1-INTRODUCTION

Thank you for your purchase of the TASCAM VL-A series, Bi-amplified Nearfield Studio Monitor, and LF-S8, Amplified Subwoofer Monitor. Before connecting and using the unit, please take time to read this manual thoroughly to ensure you understand how to properly set up and connect the VL-A's, as well as the operation of its many useful and convenient functions. After you have finished reading this manual, please keep it in a safe place for future reference.

Main Features

VL-A4

- HF12 W / LF16 W (Instant Maximum) Active Bi-amplified Nearfield Studio Monitor System
- 0.8" tweeter
- 4" woofer

VL-A5

- HF30 W / LF60 W (Instant Maximum) Active Bi-amplified Nearfield Studio Monitor System
- 0.8" tweeter
- 5.25" woofer
- LF cut function (500 Hz)
- LF correction function: 1.5 dB boost/cut at 150 Hz or 800 Hz
- HF correction function: 1.5 dB boost/cut at 3 kHz or 8 kHz

VL-A8

- HF50 W / LF90 W (Instant Maximum) Active Bi-amplified Nearfield Studio Monitor System
- 1" tweeter
- 8" woofer
- LF cut function (500 Hz)

- LF correction function: 1.5 dB boost/cut at 150 Hz or 800 Hz
- HF correction function: 1.5 dB boost/cut at 3 kHz or 8 kHz

LF-S8

- LF50 W (Instant Maximum) Amplified Subwoofer System
- 8" woofer
- HF cut function (40-120 Hz, variable)
- Phase switching function

Supplied Accessories

This unit was packed in its carton with special materials in order to prevent any damage during shipment. Please keep the carton and packing materials in the event you need to transport the unit in the future.

VL-A's has been packed with the following:

	VL-A4	VL-A5V	L-A8	LF-S8
Main unit	2 (1 pair)	2 (1 pair)	2 (1 pair)	1
Power cable	2 (1 pair)	2 (1 pair)	2 (1 pair)	1
Owner's manual	1	1	1	1
Warranty	1	1	1	1
Rubber foot	0	0	0	4

If any of these items are missing, please contact your TASCAM supplier.

Environmental Precautions

A speaker unit can be used in most places, but to maintain top performance and prolong operating life, do not place it in the following locations.

- On an unsteady surface, or where there is frequent vibration or resonance
- Near a window or where it can be exposed to direct sunlight
- Near heating or air conditioning vents, or in very hot or cold places
- Places with high humidity or poor ventilation

Product Care

Wipe off any dirt or dust with a dry, soft cloth. Do not wipe with a chemical cleaning cloth, benzene, paint thinner or alcohol. This can damage the surface of the product.

2-CONNECTION AND INSTALLATION

Precautions for Connection

- When unpacking, do not grab by the front of the unit where the drivers are mounted as this may result in damage to the cone.
- Turn off the power switch on the rear panel before connecting the power cord to the unit.
- Be sure that the connection is made securely to avoid accidental disconnection.
- Adjust the input signal levels on your audio device to the minimum or zero before turning on the power on the rear panel to prevent possible damage to the unit.
- Do not use the system continuously for long periods of time at high volume levels to avoid any possible damage to your hearing.
- Depending on the TV monitor used with the system, the speaker system may affect the quality of the picture on the monitor. In this case, try various positions to find best place to install the speaker system.
- The voltage supplied to the unit should match the voltage as printed on the rear panel.
- Use audio cables that are free of damage.
- Do not send signals other than audio signals to the unit.
- The polarity of an audio cable connected to the unit should match the pin assignments explained in "Connection."

Connection

1. Turn off the power switch.
2. Connect the supplied power cord to the main unit and make sure the plug is inserted completely to prevent it from coming off. Connect the other end of the power cord to an AC outlet.
3. Connect the XLR balanced cable or TRS cable to your audio system to send audio signals. The pin assignments of the XLR balanced cable are shown below.

1: Ground, 2: Hot, 3: Cold

The pin assignments of the TRS balanced cable are shown below.

Tip: Hot, Ring: Cold, Sleeve: Ground

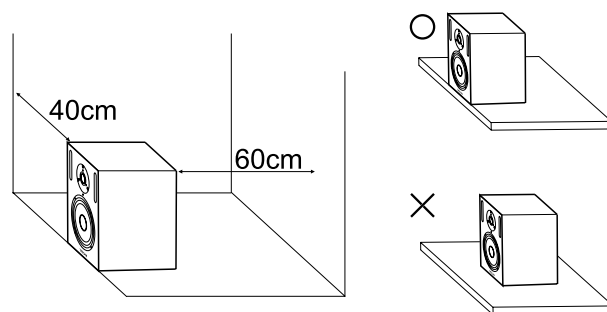
Installation

The speaker placement is important to monitor correct sound.

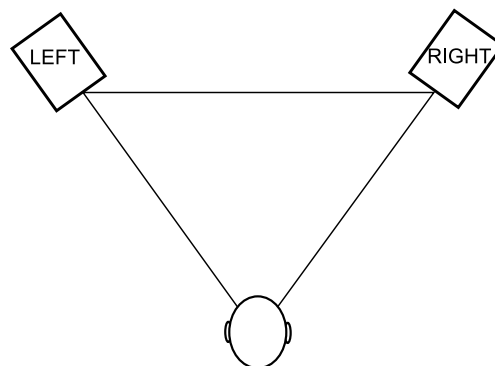
To get best performance of the speaker system, please follow the instruction explained below.

Installing the VL-A's

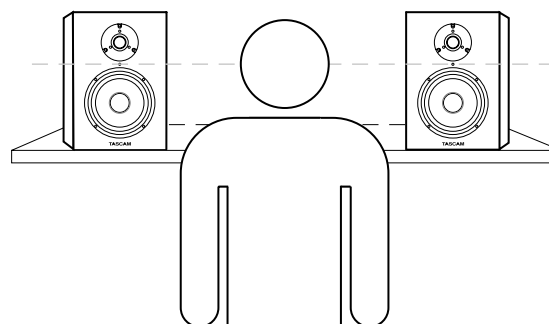
1. The unit should be placed at least 60 cm (100 cm recommended) away from obstacle to the rear and at least 40 cm (60 cm recommended) from any obstacle on either side.



2. Basically, two units and the listener should align to form a regular triangle.

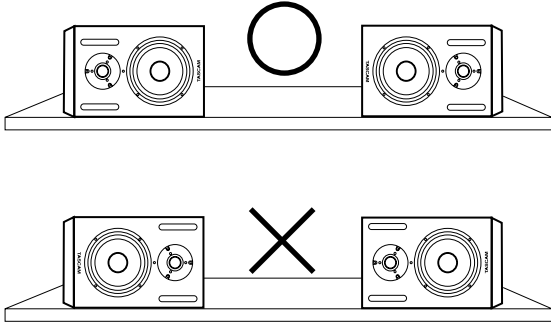


3. The height of units, more precisely, the top of the woofer should come up to where your ears are in normal listening environment.



2-CONNECTION AND INSTALLATION

4. Placing the unit vertically is recommended. If you place the unit horizontally, refer to the diagram below.



Installing a Subwoofer

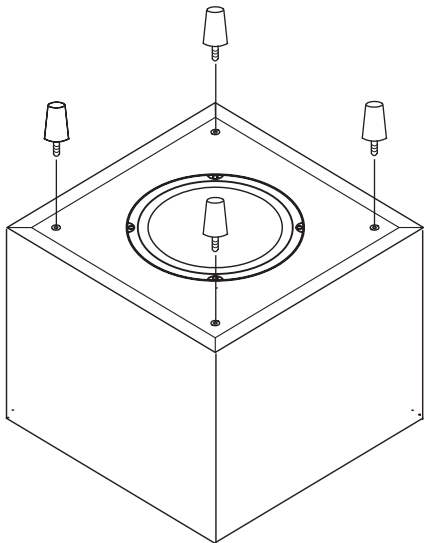
Adding a subwoofer to the monitor system lets you enjoy rich bass sounds.

The optimum placement of the subwoofer varies according to the placement of the other speakers and the room environment.

The following section explains one of the ways to place the subwoofer.

NOTE

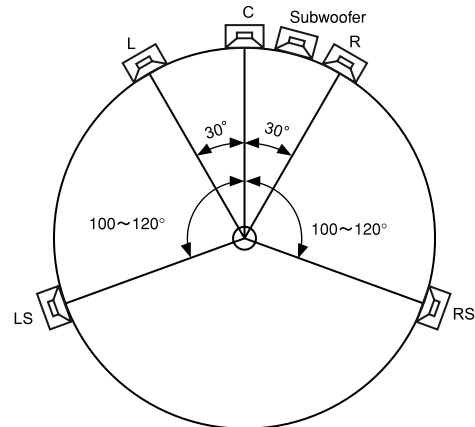
Before using the LF-S8, attach the supplied rubber feet as shown.



Surround Setup

This shows the subwoofer placed at the same distance from the listening position as the other speakers.

The example is the placement of the 5.1 channel surround monitor system.



L : Main Front Lch Speaker
R : Main Front Rch Speaker
C : Center Speaker
LS : Left Surround Speaker
RS : Right Surround Speaker

NOTE

This setup is recommended by ITU, International Telecommunications Union, according to ITU-R BS.775-2 "Multichannel stereophonic sound system with and without accompanying picture."

DO NOT place any obstacles that may block the flow of air, which is medium of the sound, or create reflected sound, especially, the material of high reflection tendency including glass, mirror or metal. Place those materials away from the path of the sound from VL-A's.

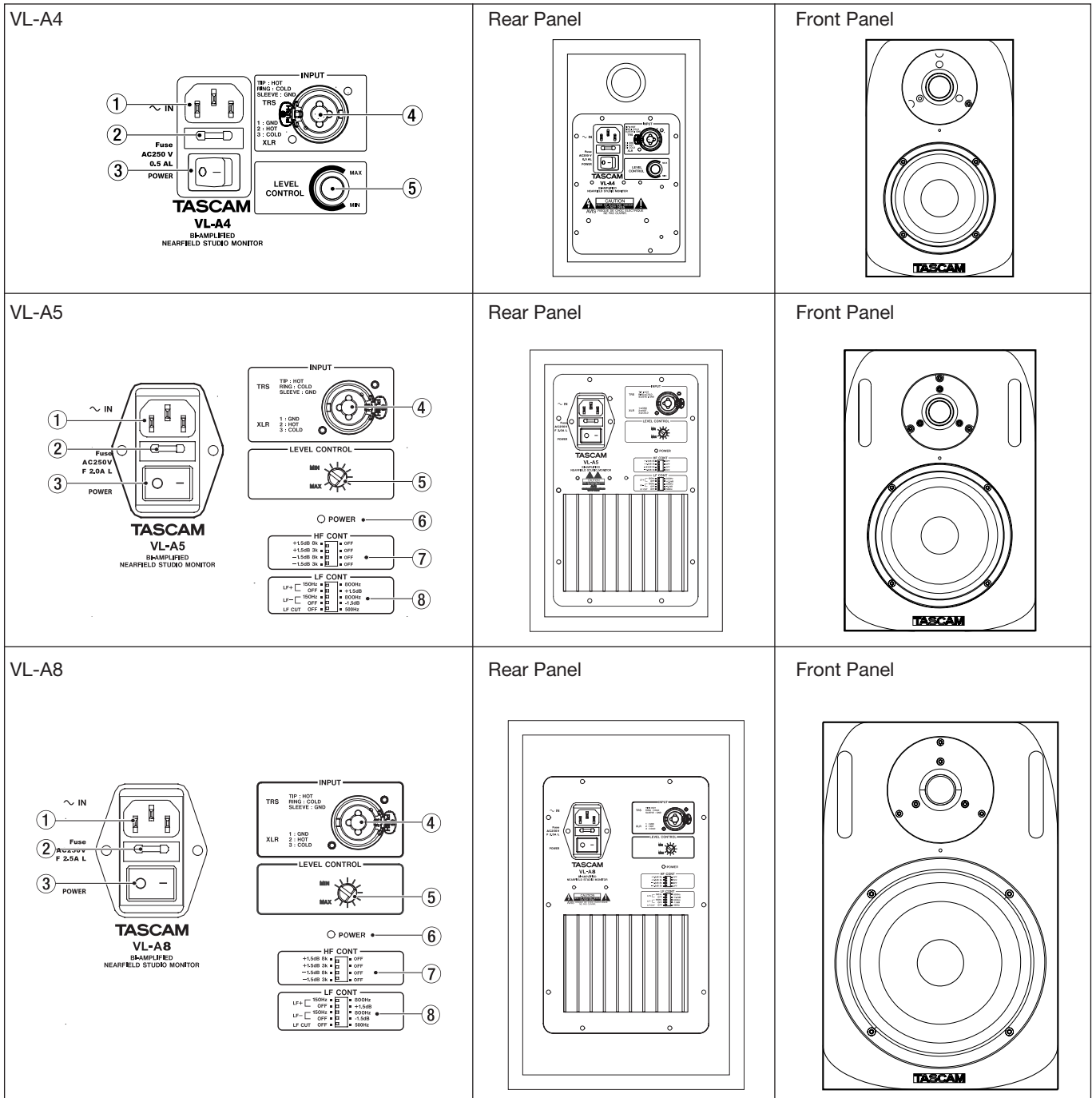
Tweeter Output Unit Protective Function (VL-A5/VL-A8)

The VL-A5 and VL-A8 tweeter output units use a temperature-sensitive polymer switch as a protective device against excessively high output.

Once this protective function has been activated, the tweeter output will be muted until the temperature of the polymer switch returns to normal.

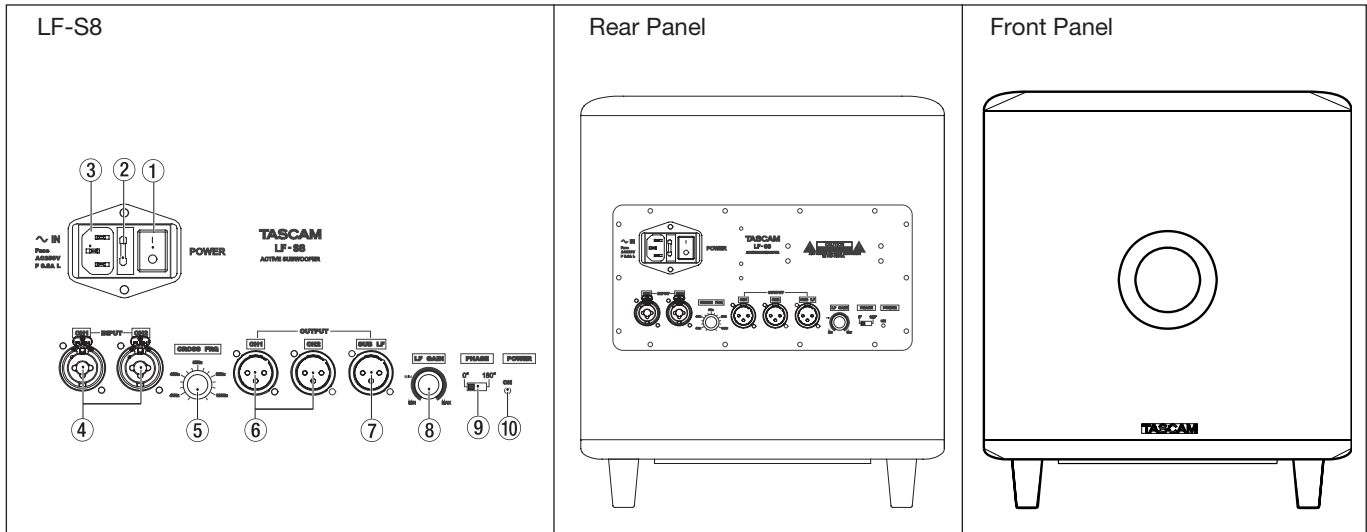
When treble sounds (output from the tweeter speaker) can not be heard, turn off the power and wait two to three minutes before turning on the power again. Check if the treble sound is output from the speaker.

3-NAMES AND FUNCTIONS



- ① **~ IN jack**
This ~ IN jack is used to connect the supplied power cord.
- ② **FUSE holder**
This unit is equipped with a fuse. If the unit does not work, disconnect the power plug from the AC outlet and then contact the nearest qualified service personnel.
- ③ **POWER switch**
This is used to turn the power on and off.
- ④ **INPUT jack**
This is a balanced input terminal that uses an XLR balanced cable and TRS PHONE balanced cable combination jack. This INPUT jack connects the unit to an external device.
- ⑤ **LEVEL CONTROL knob**
This is used to adjust the output volume.
- ⑥ **POWER indicator (Front Panel/Rear Panel)**
This indicator lights up when the power switch is turned on and AC power is supplied to the ~ IN jack.
- ⑦ **HF CONT switch (VL-A5, VL-A8 only)**
This is used to adjust the treble level.
+1.5 dB 8k: Boosts the 8 kHz frequency by 1.5 dB.
+1.5 dB 3k: Boosts the 3 kHz frequency by 1.5 dB.
-1.5 dB 8k: Cuts the 8 kHz frequency by 1.5 dB.
-1.5 dB 3k: Cuts the 3 kHz frequency by 1.5 dB.
- ⑧ **LF CONT switch (VL-A5, VL-A8 only)**
This is used to adjust the bass level.
LF+: Boosts the 150 Hz or 800 Hz frequency by 1.5 dB.
LF-: Cuts the 150 Hz or 800 Hz frequency by 1.5 dB.
LF CUT: Cuts bass sounds at a frequency of 500 Hz or lower.

3-NAMES AND FUNCTIONS



① POWER switch

This is used to turn the power on and off.

② FUSE holder

This unit is equipped with a fuse. If the unit does not work, disconnect the power plug from the AC outlet and then contact the nearest qualified service personnel.

③ ~ IN jack

This ~ IN jack is used to connect the supplied power cord.

④ INPUT CH1/CH2 jacks

These balanced input jacks suit for both XLR balanced and TRS PHONE balanced connectors, and are typically connected to output jacks on a mixer.

⑤ CROSS FREQ knob

This control is used to set a cutoff frequency between 40 to 120 Hz to cut high or low frequency output from the subwoofer.

⑥ OUTPUT CH1/CH2 jacks

These output jacks connect XLR balanced connectors. High frequency signals are output through the jack (low-frequency is cut according to the cutoff frequency set with the CROSS FREQ knob). An external device such as a power amplifier is connected to the jack.

When you use the LF-S8 with the VL-A4, VL-A5 or VL-A8, connect both the left (CH1) and right (CH2) INPUT jacks.

⑦ OUTPUT SUB LF jack

This output jack connects XLR balanced connector. Low frequency signals are output through the jack (high frequency is cut according to the cutoff frequency set with the CROSS FREQ knob). The second subwoofer is connected to this jack.

⑧ LEVEL CONTROL knob

This is used to adjust the output level of the subwoofer speaker.

⑨ PHASE switch (0°/180°)

This is used to switch the output phase of the subwoofer speaker. Depending on speaker placement, or the combination of speaker systems, bass sounds may be heard differently. If so, try to adjust the output phase using this switch to make bass sounds better for you.

⑩ POWER indicator

This indicator lights up when the power switch is turned on and AC power is supplied to the ~ IN jack.

WICHTIGE SICHERHEITSHINWEISE



Achtung! Gefahr eines Stromschlags. Öffnen Sie nicht das Gehäuse. Es befinden sich keine vom Anwender zu wartenden Teile im Gerät. Lassen Sie das Gerät nur von qualifiziertem Fachpersonal reparieren.



Dieses Symbol, ein Blitz in einem ausgefüllten Dreieck, warnt vor nicht isolierten, elektrischen Spannungen im Inneren des Geräts, die zu einem gefährlichen Stromschlag führen können.



Dieses Symbol, ein Ausrufezeichen in einem ausgefüllten Dreieck, weist auf wichtige Bedienungs- oder Sicherheitshinweise in dieser Bedienungsanleitung hin.

Bitte tragen Sie hier die Modellnummer und die Seriennummern (siehe Geräterückseite) ein, um sie mit Ihren Unterlagen aufzubewahren.

Modellnummer: _____
Seriennummer: _____

**ACHTUNG! Zum Schutz vor Brand oder Elektroschock:
Setzen Sie dieses Gerät niemals Regen oder erhöhter Luftfeuchtigkeit aus.**

WICHTIGE SICHERHEITSHINWEISE

- 1 Lesen Sie diese Anleitung.
- 2 Bewahren Sie diese Anleitung gut auf und geben Sie das Gerät nur mit dieser Anleitung weiter.
- 3 Beachten Sie alle Warnhinweise.
- 4 Befolgen Sie alle Anweisungen. Benutzen Sie das Gerät nur zu dem Zweck und auf die Weise, wie in dieser Anleitung beschrieben.
- 5 Betreiben Sie dieses Gerät nicht in unmittelbarer Nähe von Wasser. Schützen Sie das Gerät vor Feuchtigkeit und Spritzwasser. Stellen Sie niemals mit Flüssigkeit gefüllte Behälter (Vasen, Kaffeetassen usw.) auf dieses Gerät.
- 6 Reinigen Sie dieses Gerät nur mit einem trockenen Tuch.
- 7 Versperren Sie niemals vorhandene Lüftungsöffnungen. Stellen Sie dieses Gerät nicht an einem räumlich beengten Ort ohne Luftzirkulation auf.
- 8 Stellen Sie das Gerät nicht in der Nähe von Hitze abstrahlenden Geräten (Heizlüfter, Öfen, Verstärker usw.) auf.
- 9 Unterbrechen Sie niemals den Schutzleiter des Netzsteckers und kleben Sie niemals den Schutzkontakt zu. Wenn der mitgelieferte Netzstecker nicht in Ihre Steckdose passt, ziehen Sie einen Elektrofachmann zu Rate.
- 10 Sorgen Sie dafür, dass das Netzkabel nicht gedehnt, gequetscht oder geknickt werden kann – insbesondere am Stecker und am Netzkabelausgang des Geräts – und verlegen Sie es so, dass man nicht darüber stolpern kann.
- 11 Verwenden Sie nur Zubehör oder Zubehörteile, die der Hersteller empfiehlt.
- 12 Verwenden Sie nur Wagen, Ständer, Stative, Halter oder Tische, die vom Hersteller empfohlen oder mit dem Gerät verkauft werden. Wenn Sie einen Wagen verwenden, bewegen Sie ihn vorsichtig, so dass er nicht umstürzen und Sie verletzen kann.
- 13 Ziehen Sie den Netzstecker bei Gewitter oder wenn Sie das Gerät längere Zeit nicht benutzen.
- 14 Lassen Sie Wartungsarbeiten und Reparaturen nur vom qualifizierten Fachpersonal des Kundendienstes ausführen. Bringen Sie das Gerät zum Kundendienst, wenn es Regen oder Feuchtigkeit ausgesetzt war, wenn Flüssigkeit oder Fremdkörper hinein gelangt sind, wenn es heruntergefallen ist oder nicht normal funktioniert oder wenn das Netzkabel beschädigt ist.
 - Setzen Sie dieses Gerät nicht Wassertropfen oder –spritzern aus.
 - Stellen Sie keine mit Flüssigkeiten gefüllten Gegenstände, beispielsweise Vasen, auf das Gerät.
 - Stellen Sie dieses Gerät nicht in einem geschlossenen Raum, beispielsweise einem Bücherschrank oder dergleichen, auf.
 - Das Gerät nimmt eine kleine Menge Strom von der Steckdose auf, wenn der Stromschalter (POWER) ausgeschaltet ist.
 - Das Gerät sollte sich nahe genug an der Steckdose befinden, damit Sie den Netzstecker jederzeit einfach anfassen und abziehen können.
 - Ein Gerät der Klasse I sollte an eine Steckdose mit Schutzerdung angeschlossen werden.
 - Übermäßiger Schalldruck von den Ohr- und Kopfhörern kann zu Hörverlust führen.
 - Das Gerät nimmt eine kleine Menge Strom von der Steckdose auf, wenn der STANDBY/ON-Schalter auf den Bereitschaftsmodus (Standby) geschaltet ist.



- 13 Ziehen Sie den Netzstecker bei Gewitter oder wenn Sie das Gerät längere Zeit nicht benutzen.

1- EINLEITUNG	12	3- NAMEN UND FUNKTIONEN	16
Hauptmerkmale	12	VL-A4/VL-A5/VL-A8	16
Lieferumfang	12	LF-S8	17
Vorsichtsmaßnahmen bei der Aufstellung	13	Dimensions	50
Produktpflege	13	Specifications	51
2- AUFSTELLEN UND AUSRICHTEN	14	Block Diagram	52
Vorsichtsmaßnahmen beim Anschließen	14		
Anschluss	14		
Aufstellung	14		
Aufstellen von VL-A	14		
Aufstellung eines Subwoofers	15		
Surround-Aufstellung	15		
Hochtönerausgang-Schutzfunktion (VR-A5/VL-A8)	15		

1-EINLEITUNG

Vielen Dank, dass Sie sich für den TASCAM VL-A Nahfeld-Studiomonitor mit Doppelverstärkung und LF-S8 Subwoofer-Monitor mit Verstärkung entschieden haben. Bevor Sie das Gerät anschließen und benutzen, empfehlen wir Ihnen, dieses Handbuch aufmerksam durchzulesen. Nur so ist sichergestellt, dass Sie verstehen, wie man den VL-Ax korrekt verkabelt, und wie man seine Funktionsmerkmale richtig nutzt. Bewahren Sie dieses Handbuch nach dem Lesen gut auf, um bei Bedarf jederzeit darin nachschlagen zu können.

Hauptmerkmale

VL-A4

- Aktiver Nahfeld-Studiomonitor mit 12 Watt Hochton- und 16 Watt Tieftonleistung (Zweites Maximum)
- 20-mm-Hochtöner
- 100-mm-Woofer

VL-A5

- Aktiver Nahfeld-Studiomonitor mit 30 Watt Hochton- und 60 Watt Tieftonleistung (Zweites Maximum)
- 20-mm-Hochtöner
- 130-mm-Woofer
- Tieftonabsenkungsfunktion (500 Hz)
- Tieftonkorrektur: 1,5 dB Anhebung/Absenkung bei 150 Hz oder 800 Hz
- Hochtonkorrektur: 1,5 dB Anhebung/Absenkung bei 3 kHz oder 8 kHz

VL-A8

- Aktiver Nahfeld-Studiomonitor mit 50 Watt Hochton- und 90 Watt Tieftonleistung (Zweites Maximum)
- 25-mm-Hochtöner

- 200-mm-Woofer
- Tieftonabsenkungsfunktion (500 Hz)
- Tieftonkorrektur: 1,5 dB Anhebung/Absenkung bei 150 Hz oder 800 Hz
- Hochtonkorrektur: 1,5 dB Anhebung/Absenkung bei 3 kHz oder 8 kHz

LF-S8

- Aktiver Subwoofer mit 50 Watt Tieftonleistung (Zweites Maximum)
- 200-mm-Woofer
- Hochtonabsenkungsfunktion (40-120 Hz, variabel)
- Phasenumschaltungsfunktion

Lieferumfang

Dieses Gerät wurde sehr sorgfältig verpackt, um eine Beschädigung während der langen Reise zu vermeiden. Bewahren Sie das Verpackungsmaterial auf, um das Gerät auch später einmal gut geschützt transportieren zu können.

Der Karton sollte zusätzlich zu den VL- Ax folgenden Inhalt haben:

	VL-A4	VL-A5V	L-A8	LF-S8
Hauptgerät	2 (1 Paar)	2 (1 Paar)	2 (1 Paar)	1
Stromkabel	2 (1 Paar)	2 (1 Paar)	2 (1 Paar)	1
Bedienungsanleitung	1	1	1	1
Garantie	1	1	1	1
Gummifuß	0	0	0	4

Wenn Teile fehlen, wenden Sie sich bitte an Ihren TASCAM-Fachhändler.

Vorsichtsmaßnahmen bei der Aufstellung

Ein Lautsprecher kann in den meisten Umgebungen betrieben werden. Um eine größtmögliche Lebensdauer zu gewährleisten, stellen Sie ihn nicht:

- auf unebene oder wackelige Oberflächen, oder wo Vibrationen oder Resonanzen auftreten können,
- an Orte mit direkter Sonneneinstrahlung (z. B. an ein Fenster),
- in die Nähe von Hitze oder Kälte abstrahlenden Geräten oder an sehr kalte oder sehr heiße Plätze,
- an Orte mit hoher Luftfeuchtigkeit oder schlechter Belüftung,

Produktpflege

Wischen Sie Schmutz oder Staub mit einem trockenen weichen Tuch ab. Vermeiden Sie die Verwendung von chemischen Reinigungstüchern, Benzol, Farbverdünner und Alkohol. Diese Substanzen können die Oberfläche des Produkts beschädigen.

2-AUFSTELLEN UND AUSRICHTEN

Vorsichtsmaßnahmen beim Anschließen

- Halten Sie die Vorderseite des Geräts, wo sich die Treiber befinden, beim Auspacken nicht fest, da anderenfalls der Kegel beschädigt werden könnte.
- Schalten Sie den auf der Rückseite befindlichen Netzschalter aus, bevor Sie das Netzkabel an das Gerät anschließen.
- Vergewissern Sie sich, dass der Anschluss sicher ist, damit das Kabel nicht versehentlich abgetrennt werden kann.
- Stellen Sie das Eingangssignal Ihres Audiogeräts auf den Mindestpegel oder Null, bevor Sie den auf der Rückseite befindlichen Netzschalter einschalten, um eine Beschädigung des Lautsprechers zu verhindern.
- Verwenden Sie das System nicht über lange Zeit bei hoher Lautstärke, um Hörschäden zu vermeiden.
- In Abhängigkeit von der Art des verwendeten Fernsehbildschirms kann dieses Lautsprechersystem die Bildqualität auf dem Bildschirm beeinträchtigen. Probieren Sie in diesem Fall verschiedenen Aufstellungsorte aus, um den besten Platz zum Aufstellen des Lautsprechers ausfindig zu machen.
- Die Spannung, mit der das Gerät versorgt wird, sollte der auf der Rückseite des Geräts angeführten Spannung entsprechen.
- Verwenden Sie unbeschädigte Audiokabel.
- Senden Sie keine anderen Signale als Audiosignale zum Gerät.
- Die Polarität eines an das Gerät angeschlossenen Audiokabels sollte mit der Stiftzuordnung, die in „Anschluss“ erklärt ist, übereinstimmen.

Anschluss

1. Drücken Sie den Netzschalter aus.
2. Schließen Sie das mitgelieferte Netzkabel an das Hauptgerät an, und vergewissern Sie sich, dass der Stecker vollständig eingesteckt ist und nicht von allein abgetrennt wird. Schließen Sie das andere Ende des Netzkabels an eine Wandsteckdose an.
3. Schließen Sie das symmetrische Kabel vom Typ XLR oder das TRS-Kabel an Ihr Audiosystem an, um Audiosignale zu senden. Die Stiftzuordnungen für das symmetrische Kabel vom Typ XLR sind unten angeführt.

**1: Erde, 2: Strom führend,
3: nicht unter Strom stehend**

Die Stiftzuordnungen für das symmetrische Kabel vom Typ TRS sind unten angeführt.

**Spitze: Strom führend,
Ring: nicht unter Strom stehend, Muffe: Erde**

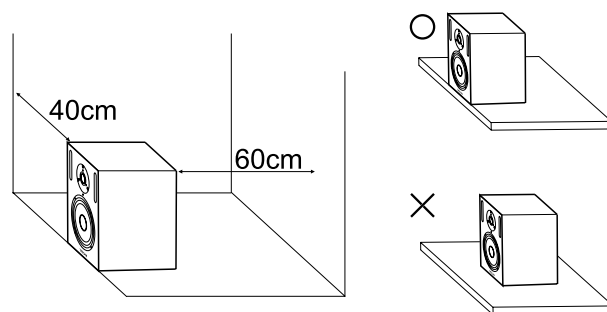
Aufstellung

Die Aufstellung des Lautsprechers ist besonders wichtig für die korrekte Tonwiedergabe.

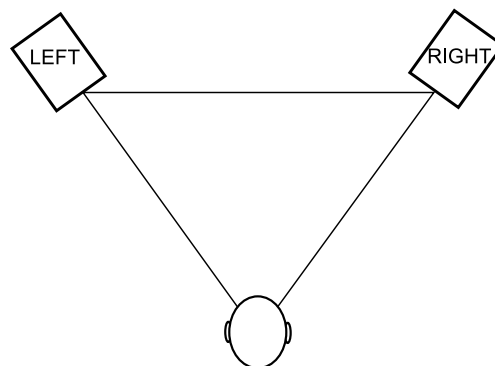
Um die beste Leistung des Lautsprechersystems zu erzielen, befolgen Sie bitte die nachfolgenden Anleitungen.

Aufstellen von VL-A

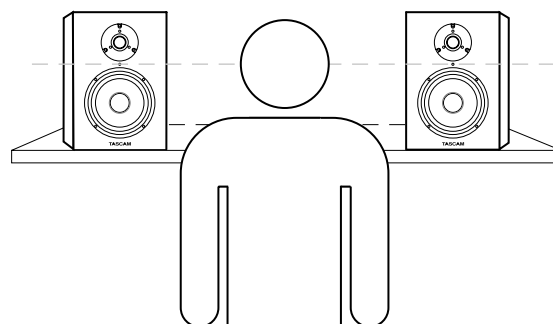
1. Das Gerät sollte sich in einem Abstand von mindestens 60 cm (empfohlen: 100 cm) nach hinten und mindestens 40 cm (empfohlen: 60 cm) seitlich von einer Wand befinden.



2. Die zwei Lautsprecher sollten grundsätzlich ein gleichschenkliges Dreieck mit dem Hörer bilden.

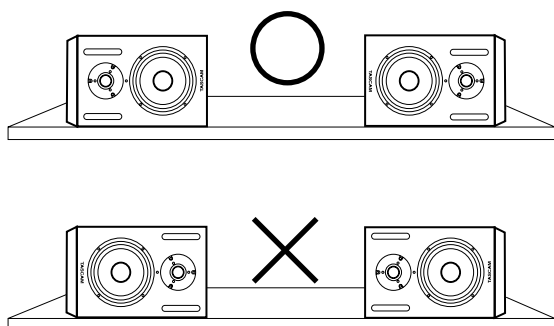


3. Die Oberseite der Hochtöner sollte dabei auf gleicher Höhe mit den Ohren des Hörers in der normalen Hörposition sein.



2-AUFSTELLEN UND AUSRICHTEN

4. Wir empfehlen eine vertikale Aufstellung des Geräts. Falls Sie das Gerät waagrecht aufstellen, beziehen Sie sich bitte auf das folgende Schaubild.



Aufstellung eines Subwoofers

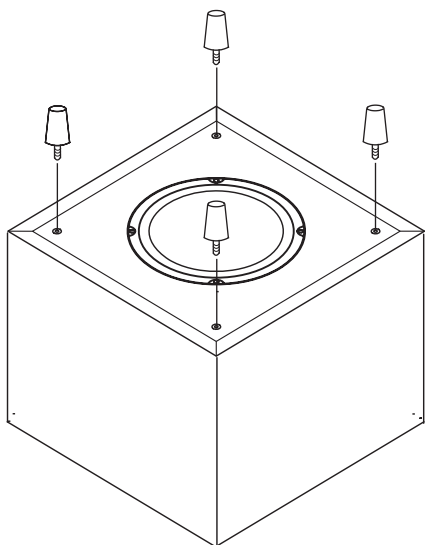
Indem Sie dem Monitor einen Subwoofer hinzufügen, können Sie eine kräftigere Basswiedergabe genießen.

Der optimale Aufstellungsort des Subwoofers hängt von der Aufstellung der anderen Lautsprecher und der Beschaffenheit des Zimmers ab.

Der folgende Abschnitt beschreibt eine Methode zum Aufstellen des Subwoofers.

HINWEIS

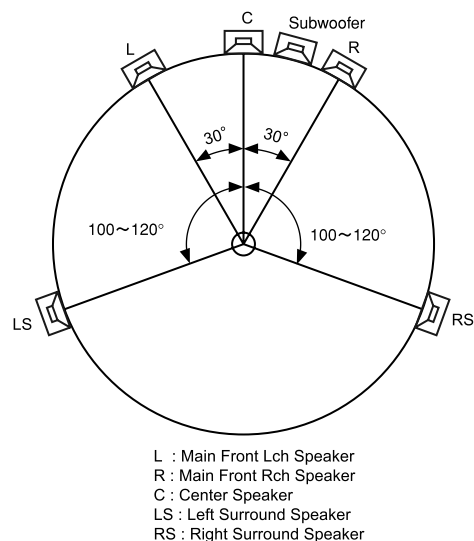
Bevor Sie den LF-S8 verwenden, befestigen Sie die mitgelieferten GummifüÙe wie dargestellt.



Surround-Aufstellung

Diese Methode zeigt, dass der Subwoofer in der gleichen Entfernung von der Hörposition wie die anderen Lautsprecher aufgestellt ist.

Das Beispiel zeigt die Aufstellung eines Surround-Monitorsystems mit 5.1 Kanälen.



HINWEIS

Dieses Aufstellungsbeispiel basiert auf der Empfehlung ITU-R BS.775-2 der Internationalen Fernmelde-Union, „Multikanal-Stereo-System mit und ohne Begleitbild“.

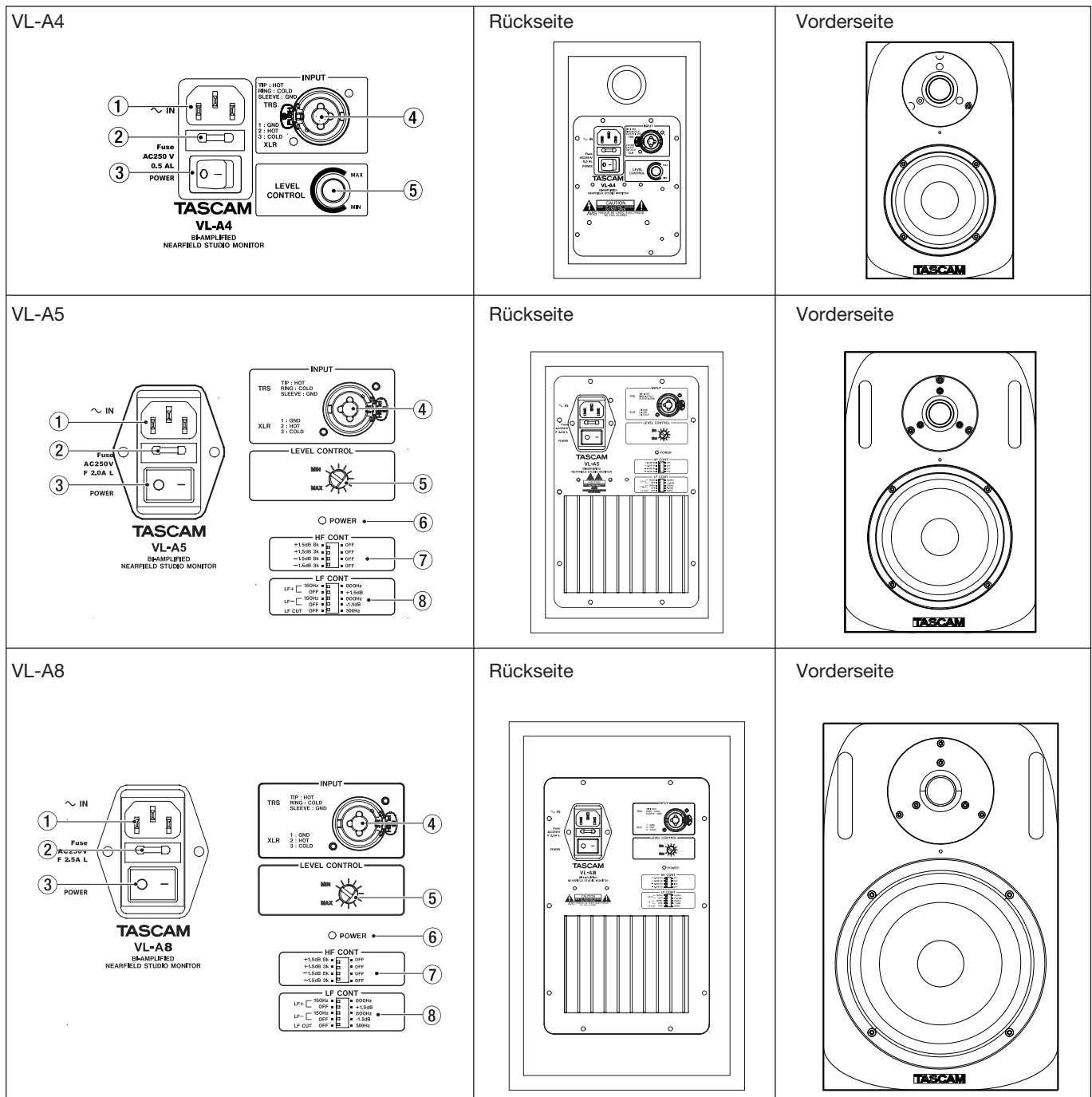
Achten Sie in jedem Fall darauf, dass keine Hindernisse den Luftstrom, der das Medium für die Schallausbreitung darstellt, blockieren oder den Schall reflektieren, insbesondere solche Stoffe wie Glas, Spiegel oder Metall. Halten Sie derartige Stoffe vom Tonpfad des VL-Ax fern.

Hochtönerausgang-Schutzfunktion (VR-A5/VL-A8)

Die Hochtönerausgänge VL-A5 und VL-A8 verwenden einen temperaturempfindlichen Polymer-Schalter als Schutzvorrichtung gegen übermäßig hohen Ausgang. Sobald diese Schutzfunktion aktiviert wurde, wird der Hochtönerausgang deaktiviert, bis die Temperatur des Polymer-Schalters auf den Normalwert zurückkehrt.

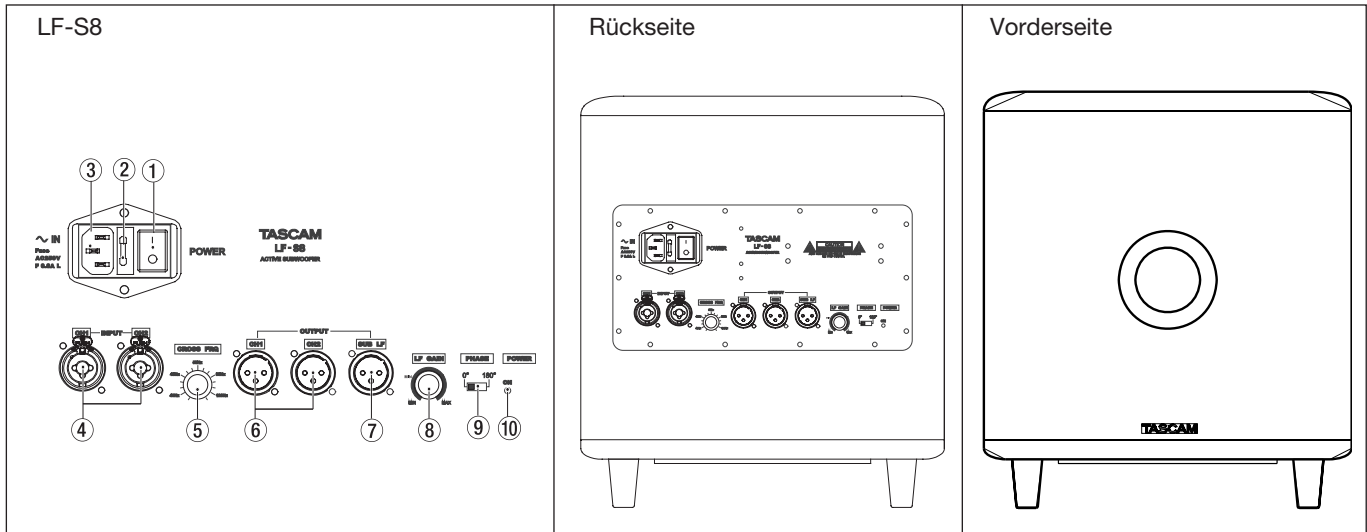
Wenn keine Höhen (Hochtönerausgang) ausgegeben werden, schalten Sie die Stromversorgung aus, und warten Sie 2 bis 3 Minuten lang, bevor Sie die Stromversorgung erneut einschalten. Vergewissern Sie sich dann, dass die Höhen vom Lautsprechern ausgegeben werden.

3-NAMEN UND FUNKTIONEN



DEUTSCH

- ① **~ Eingangsbuchse (AC IN)**
Diese ~ Eingangsbuchse (AC IN) wird für den Anschluss des mitgelieferten Netzkabels verwendet.
- ② **Sicherungsfassung**
Dieses Gerät ist mit einer Sicherung ausgestattet. Falls das Gerät nicht funktioniert, trennen Sie den Netzstecker von der Wandsteckdose ab, und wenden Sie sich die nächste qualifizierte Kundendienststelle.
- ③ **Stromschalter (POWER)**
Dient zum Ein- und Ausschalten der Stromversorgung.
- ④ **Eingangsbuchsee (INPUT)**
Dies ist eine Kombination von symmetrischer Eingangsbuchsee mit einem symmetrischen Kabel vom Typ XLR und und einer Telefonbuchsee von Typ TRS mit symmetrischem Kabel. Diese Eingangsbuchsee dient für den Anschluss eines Zusatzgeräts.
- ⑤ **Pegelregler (LEVEL CONTROL)**
Wird zum Einstellen des Ausgangspegels verwendet.
- ⑥ **Leistungsanzeige (POWER) (Vorderseite/Rückseite)**
Diese Anzeige leuchtet, wenn der Netzschalter eingeschaltet ist und die ~ Eingangsbuchse (AC IN) mit Strom versorgt wird.
- ⑦ **Hochtonreglerschalter (HF CONT) (nur VL-A5, VL-A8)**
Wird zum Einstellen des Höhenpegels verwendet.
+1,5 dB 8k: Erhöht den Pegel der 8-kHz-Frequenz um 1,5 dB.
+1,5 dB 3k: Erhöht den Pegel der 3-kHz-Frequenz um 1,5 dB.
-1,5 dB 8k: Verringert den Pegel der 8-kHz-Frequenz um 1,5 dB.
-1,5 dB 3k: Verringert den Pegel der 3-kHz-Frequenz um 1,5 dB.
- ⑧ **Tieftonreglerschalter (LF CONT) (nur VL-A5, VL-A8)**
Wird zum Einstellen des Basspegels verwendet.
LF+: Erhöht den Pegel der 150-Hz- oder 800-Hz-Frequenz um 1,5 dB.
LF-: Verringert den Pegel der 150-Hz- oder 800-Hz-Frequenz um 1,5 dB.
LF CUT: Unterdrückt die Bässe mit einer Frequenz von 500 Hz oder darunter.



- ① **Stromschalter (POWER)**
Dient zum Ein- und Ausschalten der Stromversorgung.
- ② **Sicherungsfassung**
Dieses Gerät ist mit einer Sicherung ausgestattet. Falls das Gerät nicht funktioniert, trennen Sie den Netzstecker von der Wandsteckdose ab, und wenden Sie sich die nächste qualifizierte Kundendienststelle.
- ③ **~ Eingangsbuchse (AC IN)**
Diese ~ Eingangsbuchse (AC IN) wird für den Anschluss des mitgelieferten Netzkabels verwendet.
- ④ **Eingangsbuchsen (INPUT) CH1/CH2**
Dies sind symmetrischen Eingangsbuchsen vom Typ XLR und TRS PHONE, und sie werden typischerweise mit den Ausgangsbuchsen eines Tonmischers verbunden.
- ⑤ **Überschneidungsfrequenzknopf (CROSS FREQ)**
Dieser Regler wird verwendet, um eine Grenzfrequenz zwischen 40 und 120 Hz für die Reduzierung der Höhen oder Bässe vom Subwoofer einzustellen.
- ⑥ **Ausgangsklemmen (OUTPUT) CH1/CH2**
Dies sind symmetrische Ausgangsbuchsen vom Typ XLR. Die Höhen werden durch die Buchse ausgegeben (die Bässe werden entsprechend der Grenzfrequenz, die mit dem Überschneidungsfrequenzknopf eingestellt wurde, unterdrückt). Ein Zusatzgerät, beispielsweise ein Leistungsverstärker, wird an diese Buchse angeschlossen.
Wenn Sie den LF-S8 mit dem VL-A4, VL-A5 oder VL-A8 verwenden, schließen Sie sowohl die linke (CH1) als auch die rechte (CH2) Eingangsbuchse (INPUT) an.
- ⑦ **Ausgangsbuchse (OUTPUT) SUB LF**
Dies ist eine symmetrische Ausgangsbuchse vom Typ XLR. Die Bässe werden durch die Buchse ausgegeben (die Höhen werden entsprechend der Grenzfrequenz, die mit dem Überschneidungsfrequenzknopf eingestellt wurde, unterdrückt). Der zweite Subwoofer sollte an diese Buchse angeschlossen werden.
- ⑧ **Pegelregler (LEVEL CONTROL)**
Dieser Regler wird verwendet, um den Ausgangspegel des Subwoofers einzustellen.
- ⑨ **Phasenschalter (PHASE) (0°/180°)**
Dieser Schalter wird verwendet, um die Ausgangsphase des Subwoofers umzuschalten.
Je nach der Aufstellung des Lautsprechers oder der Kombination der verwendeten Lautsprecher erklingen die Bässe ggf. unterschiedlich. Stellen Sie die Ausgangsphase mit diesem Schalter so ein, dass Sie die beste Basswiedergabe erzielen.
- ⑩ **Leistungsanzeige (POWER)**
Diese Anzeige leuchtet, wenn der Netzschalter eingeschaltet ist und die ~ Eingangsbuchse (AC IN) mit Strom versorgt wird.

CONSIGNES DE SÉCURITÉ



ATTENTION : AFIN DE RÉDUIRE LES RISQUES D'ÉLECTROCUTION, NE PAS OUVRIR LE PANNEAU SUPÉRIEUR OU ARRIÈRE. AUCUN ÉLÉMENT INTERNE N'EST RÉPARABLE PAR L'UTILISATEUR. ADRESSEZ-VOUS À UN RÉPARATEUR AGRÉÉ POUR TOUTE OPÉRATION DE MAINTENANCE.



Le point d'exclamation au centre d'un triangle équilatéral attire l'attention de l'utilisateur sur la présence d'instructions importantes dans le mode d'emploi concernant la mise en oeuvre de l'appareil.



L'éclair fléché au centre d'un triangle équilatéral attire l'attention de l'utilisateur sur la présence de courants élevés dans l'appareil, pouvant constituer un risque d'électrocution en cas de mise en contact avec les composants internes.

Cet appareil possède un numéro de série sur sa face arrière. Reportez ci-dessous le nom du modèle et le numéro de série pour pouvoir les communiquer en cas de besoin.

Modèle : _____
N° de série : _____

AVERTISSEMENT : POUR ÉVITER TOUT RISQUE D'ÉLECTROCUTION OU D'INCENDIE, N'EXPOSEZ PAS CET APPAREIL À LA PLUIE OU À L'HUMIDITÉ.

CONSIGNES DE SÉCURITÉ

- 1 Lisez ces instructions.
 - 2 Retenez ces instructions.
 - 3 Tenez compte des avertissements.
 - 4 Suivez toutes les instructions.
 - 5 N'utilisez pas cet appareil dans un environnement humide.
 - 6 Ne nettoyez cet appareil qu'à l'aide d'un chiffon doux et sec.
 - 7 N'installez cet appareil que dans des emplacements qui ne gênent pas sa ventilation et en suivant les instructions du constructeur.
 - 8 L'appareil doit être tenu à l'écart de sources de chaleur comme les radiateurs, les bouches de chaleur, les fours ou tout autre appareil créant des températures élevées (incluant les amplificateurs)
 - 9 Ce produit peut être équipé d'une prise polarisée (une broche plus large que l'autre). Ce type de prise ne peut se brancher que dans un seul sens et il s'agit d'une mesure de sécurité. Si vous ne pouvez pas insérer votre prise, tentez de la retourner dans l'autre sens. Si vous n'y arrivez dans aucun sens, adressez-vous à votre électricien pour faire poser une prise du modèle adapté. Ne supprimez en aucun cas la fonction de sécurité des prises polarisées.
 - 10 Le cheminement des câbles d'alimentation doit être prévu de telle sorte qu'ils ne puissent pas être piétinés, pincés, coincés par d'autres appareils posés dessus, et une attention toute particulière doit être accordée à la liaison du cordon avec l'appareil.
 - 11 N'utilisez que des supports, stands, systèmes de montage recommandés par le constructeurs ou vendus avec l'appareil.
 - 12 Un appareil fixé dans un rack mobile doit être manipulé avec précautions. Les arrêts brutaux, les poussées trop vigoureuses et les sols irréguliers peuvent faire basculer l'ensemble.
 - 13 En cas d'orage ou si l'appareil doit rester inutilisé pendant une longue période, nous conseillons de débrancher son cordon d'alimentation.
 - 14 Ne tentez aucune opération de maintenance par vous-même sur cet appareil. Son ouverture ou la suppression des protections pourrait vous mettre au contact de courants élevés et provoquer une électrocution. En cas d'introduction d'objets ou de liquides étrangers dans l'appareil ou d'exposition accidentelle à la pluie ou à l'humidité, ou si l'appareil a subi un choc ou ne semble pas fonctionner normalement, reportez-vous toujours auprès d'un réparateur qualifié.
- Ne collez aucun sticker ou transfert sur cet appareil.
 - Ne placez pas dessus de récipients contenant des liquides.
 - N'installez pas cet appareil dans un espace restreint (étagère ou autre).
 - Cet appareil peut délivrer des courants de fortes intensité au niveau de son connecteur d'alimentation, même si l'interrupteur est en position OFF.
 - Cet appareil doit être positionné suffisamment près de la prise secteur pour qu'il soit possible à tout moment de saisir cette dernière et d'assurer un débranchement d'urgence.
 - Un appareil de Classe 1 ne doit être branché que sur une prise dotée d'une liaison à la terre efficace.
 - Une pression acoustique excessive du casque d'écoute peut entraîner une perte auditive.
 - Quand le commutateur STANDBY/ON est en position de veille et qu'il est branché sur le secteur, l'appareil consomme une faible quantité d'électricité.



- 13 En cas d'orage ou si l'appareil doit rester inutilisé pendant une longue période, nous conseillons de débrancher son cordon d'alimentation.

Sommaire

1- INTRODUCTION	20	3- NOMS ET FONCTIONS	24
Fonctionnalités	20	VL-A4/VL-A5/VL-A8	24
Éléments fournis	20	LF-S8	25
Précautions concernant la mise en place	21	Dimensions	50
Entretien de l'appareil	21	Specifications	51
2- BRANCHEMENTS ET INSTALLATION	22	Block Diagram	52
Précautions concernant le branchement	22		
Branchements	22		
Installation	22		
Installation du VL-A's	22		
Installation d'un caisson de grave	23		
Réglage du Surround	23		
Fonction de protection de l'unité de sortie du tweeter (VL-A5/VL-A8).....	23		

1-INTRODUCTION

Nous vous félicitons de votre achat d'un moniteur VL-A's TASCAM, d'un moniteur de studio bi-amplifié Nearfield, et d'un moniteur caisson de grave amplifié LF-S8. Avant de brancher et d'utiliser l'appareil, nous vous conseillons de prendre le temps de lire attentivement l'ensemble de ce manuel pour éviter toute erreur de manipulation et également pour prendre connaissance des nombreuses fonctionnalités de l'appareil afin d'en tirer le meilleur parti. Conservez-le ensuite en lieu sûr pour pouvoir vous y reporter en cas de besoin.

Fonctionnalités

VL-A4

- Moniteur de proximité bi-amplifié actif 12 W (aigus) / 16 W (graves) [Deuxième Maximum]
- Tweeter de 20 mm
- Woofer de 100 mm

VL-A5

- Moniteur de proximité bi-amplifié actif 30 W (aigus) / 60 W (graves) [Deuxième Maximum]
- Tweeter de 20 mm
- Woofer de 130 mm
- Filtre basse fréquence (500 Hz)
- Fonction de correction des graves:
Renforcement/atténuation des graves de 1,5 dB à 150 Hz ou 800 Hz
- Fonction de correction des aigus:
Renforcement/atténuation des graves de 1,5 dB à 3 kHz ou 8 kHz

VL-A8

- Moniteur de proximité bi-amplifié actif 50 W (aigus) / 90 W (graves) [Deuxième Maximum]
- Tweeter de 25 mm
- Woofer de 200 mm
- Filtre basse fréquence (500 Hz)

- Fonction de correction des graves:
Renforcement/atténuation des graves de 1,5 dB à 150 Hz ou 800 Hz
- Fonction de correction des aigus:
Renforcement/atténuation des graves de 1,5 dB à 3 kHz ou 8 kHz

LF-S8

- Caisson de grave amplifié 50 W (graves) [Deuxième Maximum]
- Woofer de 200 mm
- Filtre haute fréquence (40-120 Hz, variable)
- Fonction de commutation de phase

Éléments fournis

L'appareil est emballé dans un conditionnement spécial destiné à le garantir contre tout dommage pendant le transport.

Veillez conserver le carton et les matériaux d'emballage pour pouvoir les réutiliser en cas de besoin.

En plus de ce manuel, le VL-A's est livré avec les éléments suivants :

	VL-A4	VL-A5V	L-A8	LF-S8
Appareil principal	2 (1 paire)	2 (1 paire)	2 (1 paire)	1
Cordon d'alimentation	2 (1 paire)	2 (1 paire)	2 (1 paire)	1
Manuel du propriétaire	1	1	1	1
Carte de garantie	1	1	1	1
Pieds en caoutchouc	0	0	0	4

Si un de ces éléments était maquant, adressez-vous à votre revendeur TASCAM.

Précautions concernant la mise en place

Une enceinte peut être utilisée dans la plupart des intérieurs, avec toutefois quelques limites destinées à lui assurer des performances et une durabilité maximales. Ne l'installez pas dans les endroits suivants:

- Sur une surface instable ou soumise à des vibrations (ou susceptible d'entrer en résonance)
- Près d'une fenêtre où dans une position susceptible de recevoir directement les rayons du soleil
- À proximité d'un système de chauffage ou dans des emplacements très chauds ou très froids
- Dans des endroits humides ou mal ventilés

Entretien de l'appareil

Essuyez les saletés ou la poussière avec un chiffon sec et doux. Ne frottez pas avec un chiffon de nettoyage chimique, avec de la benzine, du diluant à peinture ou de l'alcool. Cela pourrait endommager la surface du produit.

2-BRANCHEMENTS ET INSTALLATION

Précautions concernant le branchement

- Lors du déballage n'attrapez pas le système par l'avant où se trouve les moteurs de haut-parleur car cela pourrait endommager les cônes.
- Mettez le système hors tension à l'aide de l'interrupteur d'alimentation sur le panneau arrière avant de connecter le cordon d'alimentation.
- Assurez-vous que la connexion a été faite solidement pour éviter tout accident de déconnexion.
- Ajustez les niveaux du signal d'entrée sur votre appareil audio au minimum ou à zéro avant de mettre cet appareil sous tension avec l'interrupteur d'alimentation sur le panneau arrière afin d'éviter tout dommage possible au système.
- N'utilisez pas le système de façon continue pendant de longues périodes de temps à un fort niveau de volume. Cela pourrait endommager votre audition.
- Ce système d'enceinte peut affecter la qualité de l'image en fonction du type de moniteur de télévision utilisé en combinaison avec le système. Essayez diverses méthodes d'installation et divers emplacements avant de déterminer l'emplacement d'installation final.
- La tension fournie au système doit correspondre à la tension imprimée sur le panneau arrière.
- Utilisez des câbles audio qui ne sont pas endommagés.
- Ne laissez aucun autre signal qu'un signal audio entrer dans ce système.
- La polarité du câble audio connecté au système doit correspondre au brochage expliqué dans la section "Branchements".

Branchements

1. Mettez l'appareil hors tension à l'aide de l'interrupteur d'alimentation.
2. Branchez le cordon d'alimentation fourni au système principal et assurez-vous que la fiche est insérée à fond pour éviter qu'elle ne se débranche. De plus, branchez solidement l'autre extrémité du cordon d'alimentation à une prise secteur.
3. Branchez un câble symétrique de type XLR ou TRS à votre système audio pour envoyer les signaux audio. Le brochage du câble symétrique de type XLR est indiqué ci-dessous.

1: Masse, 2: Point chaud, 3: Point froid

Le brochage du câble symétrique de type TRS est indiqué ci-dessous.

Extrémité: Point chaud, Anneau: Point froid, Corps: Masse

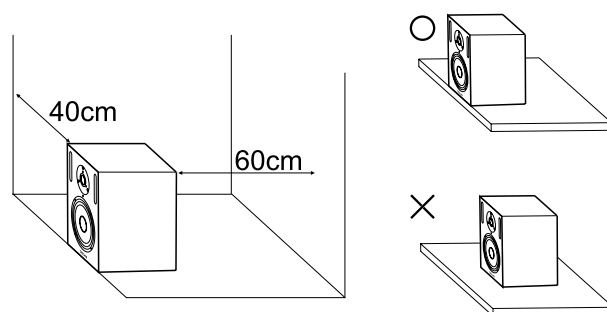
Installation

Un bon positionnement de l'enceinte est une étape essentielle dans la réalisation d'une écoute de qualité.

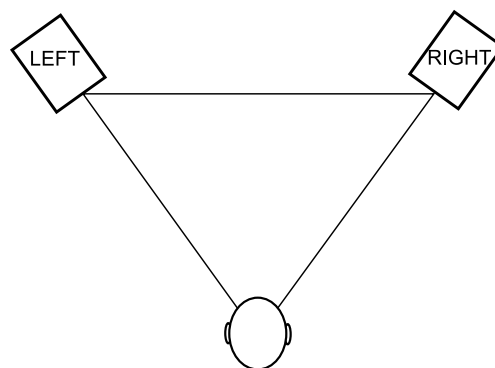
Pour obtenir les meilleures performances de votre système d'enceintes, veuillez respecter scrupuleusement les consignes ci-après.

Installation du VL-A's

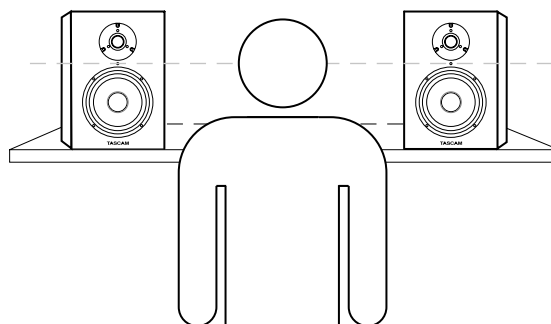
1. Mise en place du système à 60 cm des parois (100 cm préférable) pour sa face arrière et à 40 cm (60 cm recommandés) pour sa face latérale.



2. En principe les deux écouteurs stéréo et l'auditeur doivent former un triangle équilatéral.

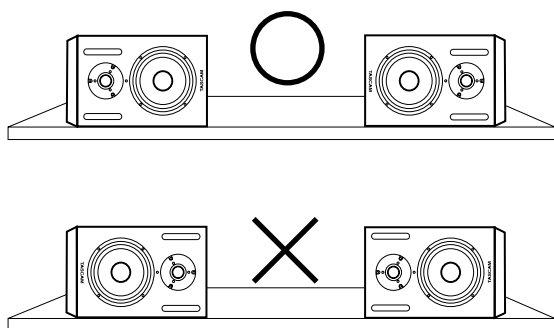


3. Les enceintes, et plus précisément le haut des woofers devraient se trouver à la hauteur des oreilles de l'auditeur placé à sa position d'écoute habituelle.



2-BRANCHEMENTS ET INSTALLATION

4. Un positionnement vertical du système est en principe préférable. Si vous placez le système horizontalement, reportez-vous à l'illustration ci-dessous.



Installation d'un caisson de grave

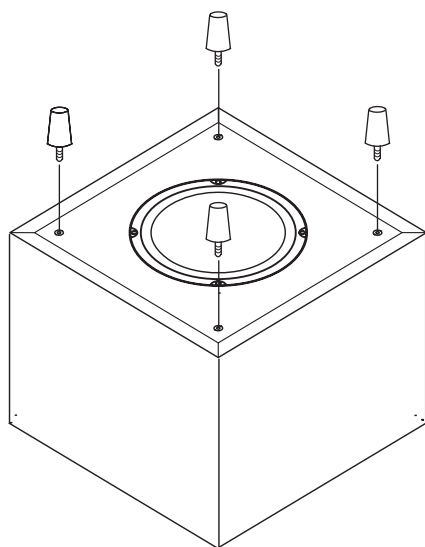
Ajouter un caisson de grave au système de moniteur vous permet d'enrichir les graves.

L'installation optimale du caisson de grave varie en fonction de l'emplacement des autres enceintes et de l'environnement de la pièce.

La section suivante explique une des façons de placer le caisson de grave.

REMARQUE

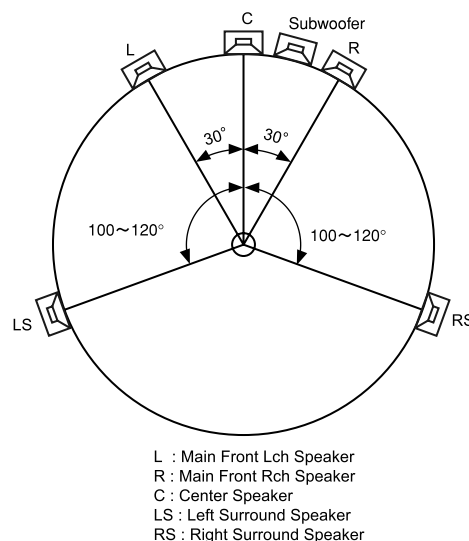
Avant d'utiliser le LF-S8, montez les pieds en caoutchouc fournis comme indiqué.



Réglage du Surround

Nous vous montrons ici le caisson de grave placé à la même distance de la position d'écoute que les autres enceintes.

Voici un exemple d'installation d'un système de moniteur Surround à 5,1 canaux.



REMARQUE

Cet exemple d'installation est basé sur les recommandations ITU-R BS.775-2 de l'Union Internationale des Télécommunications "Système Surround stéréophonique multicanal avec ou sans image".

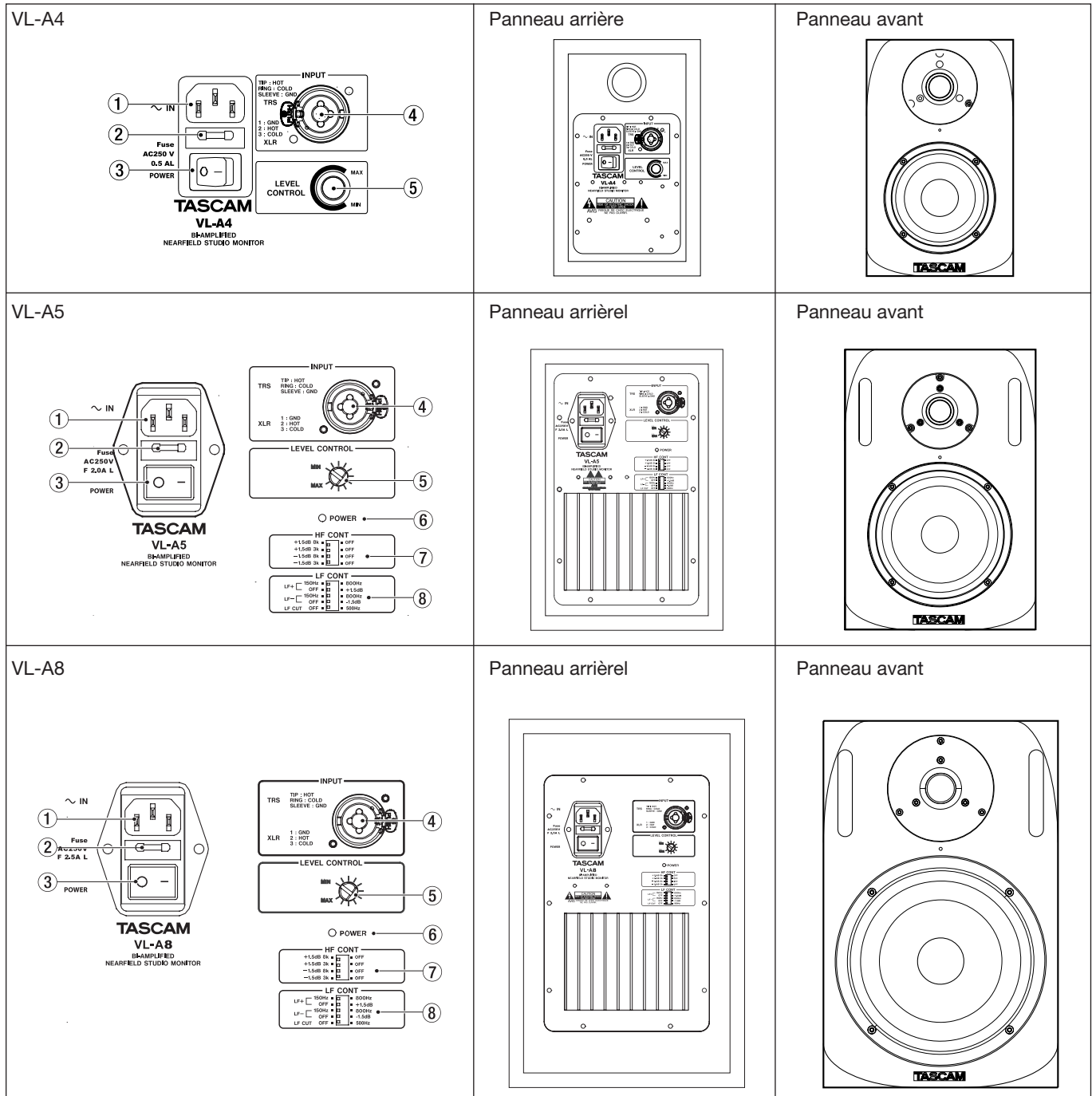
Ne placez pas d'obstacles susceptible de contrarier le déplacement de l'air entre les enceintes et les oreilles : il s'agit du support du son. Évitez en particulier les matériaux à forte réflexion (verre ou métal) qui doivent être tenu à l'écart de l'environnement des VL-A's.

Fonction de protection de l'unité de sortie du tweeter (VL-A5/VL-A8)

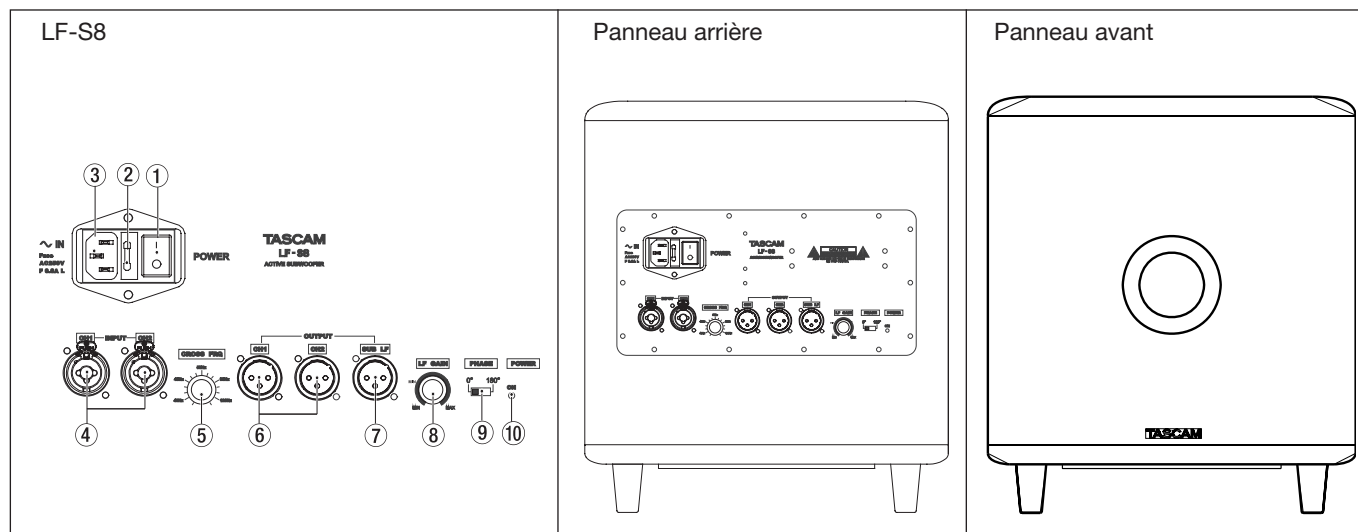
Les unités de sortie du tweeter VL-A5 et VL-A8 utilisent un interrupteur en polymère sensible à la chaleur comme dispositif de protection contre une sortie trop élevée. Une fois que cette fonction de protection a été activée, la sortie du tweeter reste coupée tant que la température de l'interrupteur en polymère ne retourne pas à la normale.

Si les sons aigus (sortie du tweeter) ne sont pas entendus, mettez l'appareil hors tension et attendez 2 à 3 minutes avant de remettre l'appareil sous tension. Vérifiez si les sons aigus peuvent sortir des enceintes.

3-NOMS ET FONCTIONS



- ① **Prise ~ IN (AC IN)**
Cette prise ~ IN (AC IN) est utilisée pour connecter le cordon d'alimentation fourni.
- ② **Porte fusible**
C'est appareil est muni d'un fusible. Si l'appareil ne fonctionne pas, débranchez la fiche d'alimentation de la prise secteur murale, puis contactez le personnel de service le plus proche.
- ③ **Interrupteur POWER**
Utilisez cet interrupteur pour mettre l'appareil sous et hors tension.
- ④ **Prise INPUT**
C'est une prise d'entrée symétrique qui accepte une prise combinée pour câble symétrique de type XLR et pour câble symétrique de type TRS PHONE. Cette prise INPUT permet de connecter le système à un appareil extérieur.
- ⑤ **Contrôle LEVEL CONTROL**
Utilisez ce contrôle pour régler le volume de sortie.
- ⑥ **Indicateur POWER (panneau avant/panneau arrière)**
Cet indicateur s'allume quand le système a été mis sous tension à l'aide de l'interrupteur d'alimentation et que l'alimentation est fournie par la prise ~ IN (AC IN).
- ⑦ **Sélecteur HF CONT (VL-A5, VL-A8 uniquement)**
Utilisez ce sélecteur pour régler le niveau des aigus.
+1.5 dB 8k: Renforce la fréquence de 8 kHz de 1,5 dB.
+1.5 dB 3k: Renforce la fréquence de 3 kHz de 1,5 dB.
-1.5 dB 8k: Coupe la fréquence de 8 kHz de 1,5 dB
-1.5 dB 3k: Coupe la fréquence de 3 kHz de 1,5 dB.
- ⑧ **Sélecteur LF CONT (VL-A5, VL-A8 uniquement)**
Utilisez ce sélecteur pour régler le niveau des graves.
LF+: Renforce la fréquence de 150 Hz ou de 800 Hz de 1,5 dB.
LF-: Coupe la fréquence de 150 Hz ou de 800 Hz de 1,5 dB.
LF CUT: Coupe les sons graves de fréquence de 500 Hz ou inférieur.



① Interrupteur POWER

Utilisez cet interrupteur pour mettre l'appareil sous et hors tension.

② Porte fusible

Cet appareil est muni d'un fusible. Si l'appareil ne fonctionne pas, débranchez la fiche d'alimentation de la prise secteur murale, puis contactez le personnel de service le plus proche.

③ Prise ~ IN (AC IN)

Cette prise ~ IN (AC IN) est utilisée pour connecter le cordon d'alimentation fourni.

④ Prises INPUT CH1/CH2

Ces prises d'entrée symétriques conviennent à la fois pour des connecteurs symétriques XLR et TRS PHONES et se connectent normalement aux prises de sortie d'un mélangeur.

⑤ Contrôle CROSS FREQ

Utilisez ce contrôle pour régler la fréquence de coupure entre 40 et 120 Hz afin de couper les hautes et basses fréquences du caisson de grave.

⑥ Prises OUTPUT CH1/CH2

Ces prises de sorties permettent de connecter des connecteurs symétriques XLR. Les signaux de haute fréquence sont sortis par ces prises (les basses fréquences sont coupées en fonction de la fréquence de coupure réglée avec le contrôle CROSS FREQ). Un appareil extérieur tel qu'un amplificateur de puissance peut-être connecté à ces prises.

Lors de l'utilisation du LF-S8 avec le VL-A4, VL-A5 ou VL-A8, connectez à la fois les deux prises INPUT, la gauche (CH1) et la droite (CH2).

⑦ Prise OUTPUT SUB LF

Ces prises de sorties permettent de connecter des connecteurs symétriques XLR. Les signaux de basse fréquence sont sortis par ces prises (les hautes fréquences sont coupées en fonction de la fréquence de coupure réglée avec le contrôle CROSS FREQ). Un deuxième caisson de grave peut-être connecté à cette prise.

⑧ Contrôle LEVEL CONTROL

Utilisez ce contrôle pour régler le niveau de sortie du caisson de grave.

⑨ Sélecteur PHASE (0°/180°)

Utilisez ce sélecteur pour choisir la phase de sortie du caisson de grave.

En fonction de la position des enceintes ou de la combinaison des enceintes, les sons graves peuvent être entendus différemment. Si c'est le cas, essayez d'ajuster la phase de sortie en utilisant ce sélecteur afin d'obtenir les sons graves qui vous conviennent.

⑩ Indicateurs POWER

Cet indicateur s'allume quand le système a été mis sous tension à l'aide de l'interrupteur d'alimentation et que l'alimentation est fournie par la prise ~ IN (AC IN).

IMPORTANTI PRECAUZIONI DI SICUREZZA



ATTENZIONE: PER RIDURRE IL RISCHIO DI FOLGORAZIONE, NON SMONTARE IL COPERCHIO (O IL PANNELLO POSTERIORE). ALL'INTERNO NON CI SONO ELEMENTI CHE NECESSITANO DI MANUTENZIONE DA PARTE DELL'UTENTE. PER L'ASSISTENZA, RIVOLGERSI SEMPRE A PERSONALE QUALIFICATO.



Il simbolo della saetta con punta a freccia, inscritta in un triangolo equilatero, avverte l'utente che, entro l'involucro dell'apparecchio, sono presenti "tensioni pericolose" non isolate, che potrebbero raggiungere un livello tale da costituire pericolo di folgorazione per le persone.



Il simbolo con il punto esclamativo, inscritto in un triangolo equilatero, avverte l'utente della presenza di importanti istruzioni di azionamento e manutenzione nella letteratura allegata all'apparecchio.

Il numero di serie di quest'apparecchio si trova sul pannello posteriore. Consigliamo di annotare qui il numero del modello e il numero di serie, conservando questi dati per future necessità.

Numero del modello _____
Numero di serie _____

**ATTENZIONE: PER EVITARE RISCHI DI
INCENDIO
O FOLGORAZIONE, NON LASCIARE
QUESTO APPARECCHIO
ESPOSTO ALLA PIOGGIA O ALL'UMIDITÀ**

IMPORTANTI PRECAUZIONI DI SICUREZZA

- 1 Leggere queste istruzioni.
 - 2 Conservare questo manuale.
 - 3 Attenersi a tutte le precauzioni.
 - 4 Seguire attentamente tutte le istruzioni.
 - 5 Non utilizzare questa unità vicino all'acqua.
 - 6 Pulire solo con un panno asciutto.
 - 7 Non bloccare le aperture di ventilazione. Installare l'unità secondo le istruzioni del produttore.
 - 8 L'apparecchio non deve essere collocato vicino a sorgenti di calore, come stufe, radiatori, aerotermi o altre apparecchiature che producono calore, compresi gli amplificatori.
 - 9 Quest'apparecchio potrebbe essere munito di una spina di linea polarizzata a corrente alternate (che ha una lama più larga dell'altra). Tale spina entra nella presa di rete soltanto in una direzione: si tratta di una misura di sicurezza. Se risultasse impossibile inserire la spina a fondo, provare a voltarla nell'altra direzione. Se anche così la spina si rifiuta di entrare, chiamare un elettricista e far sostituire la presa, evidentemente di tipo sorpassato: meglio una piccola spesa, che rinunciare alla sicurezza offerta dalla spina polarizzata.
 - 10 Stendere i cavi di alimentazione dove abbiano scarse probabilità di essere calpestati o pinzati da oggetti posti sopra o vicino ad essi; attenzione soprattutto alle sezioni di cavo vicino ai connettori (prese o spine), agli appositi contenitori, nonché al punto in cui il cavo esce dall'apparecchio.
 - 11 Utilizzare solo gli accessori specificati dal produttore.
 - 12 Utilizzare soltanto un elemento (carrello, piano d'appoggio, treppiede, staffa, tavolo) consigliato dal fabbricante o venduto insieme all'apparecchio stesso.
- cauzione eviterà che l'apparecchio venga danneggiato da un fulmine o da un picco transitorio di tensione.
- 14 Rivolgersi sempre a personale tecnico qualificato quando l'unità è stata in qualche modo danneggiata, per esempio: quando non si accende, quando è stato versato liquido o è caduto qualche oggetto all'interno, quando è stata esposta ad umidità o pioggia o quando non opera in modo normale.
- L'apparecchio non deve essere esposto ai gocciolamenti o agli spruzzi.
 - Non vi si devono collocare corpi pieni di liquido quali i vasi.
 - Non deve essere installato in uno spazio confinato, ad esempio tra gli scaffali di una libreria.
 - Quando l'interruttore POWER si trova nella posizione di spento l'apparecchio assorbe dalla presa di rete CA una corrente non operativa nominale.
 - L'apparecchio deve essere collocato quanto più vicino possibile alla presa CA affinché risulti facile scollegarne il cavo di alimentazione in qualsiasi momento in caso di necessità.
 - Gli apparecchi in Classe I devono essere collegati a una presa di rete CA provvista di collegamento a terra.
 - Un'eccessiva pressione acustica dagli auricolari o dalle cuffie potrebbe causare la perdita dell'udito.
 - Quando il selettore STANDBY/ON si trova nella posizione di standby l'apparecchio assorbe dalla presa di rete CA una corrente non operativa nominale.



- 13 Per proteggere l'apparecchio nel corso di un temporale, oppure quando rimane senza sorveglianza e non viene utilizzato per un periodo prolungato, staccarlo dalla presa di rete e scollegare l'antenna o il sistema via cavo. Questa pre-

1- INTRODUZIONE	28	3- NOMI E FUNZIONI.....	32
Caratteristiche principali	28	VL-A4/VL-A5/VL-A8	32
Accessori forniti in dotazione	28	LF-S8	33
Precauzioni ambientali	29	Dimensions	50
Cura dei prodotti	29	Specifications	51
2- COLLEGAMENTO E INSTALLAZIONE.....	30	Block Diagram	52
Precauzioni per il collegamento	30		
Collegamento	30		
Installazione	30		
Installazione dei VL-A:	30		
Installazione del subwoofer	31		
Configurazione surround.....	31		
Funzione di protezione uscita dei tweeter (VL-A5/VL-A8).....	31		

1-INTRODUZIONE

Grazie per avere acquistato il monitor da studio biamplificato a campo vicino (near-field) TASCAM della serie VL-A e il monitor subwoofer amplificato LF-S8.

Prima di collegare e utilizzare i monitor VL-A si raccomanda di leggere attentamente il presente manuale in modo da apprenderne la modalità d'impostazione e le molte, comode funzionalità. Dopo la lettura si consiglia di riporre il manuale in un luogo sicuro e facilmente accessibile per ogni futura consultazione.

Caratteristiche principali

VL-A4

- Sistema di monitor near-field da studio attivi biamplificati HF12 W / LF16 W (Secondo Massimo)
- Tweeter da 20 mm
- Woofer da 100 mm

VL-A5

- Sistema di monitor near-field da studio attivi biamplificati HF30 W / LF60 W (Secondo Massimo)
- Tweeter da 20 mm
- Woofer da 130 mm
- Funzione di taglio LF (bassa frequenza: 500 Hz)
- Funzione di correzione LF (bassa frequenza): potenziamento/taglio da 1,5 dB a 150 Hz o 800 Hz
- Funzione di correzione HF (alta frequenza): potenziamento/taglio da 1,5 dB a 3 kHz o 8 kHz

VL-A8

- Sistema di monitor near-field da studio attivi biamplificati HF50 W / LF90 W (Secondo Massimo)
- Tweeter da 25 mm
- Woofer da 200 mm

- Funzione di taglio LF (bassa frequenza: 500 Hz)
- Funzione di correzione LF (bassa frequenza): potenziamento/taglio da 1,5 dB a 150 Hz o 800 Hz
- Funzione di correzione HF (alta frequenza): potenziamento/taglio da 1,5 dB a 3 kHz o 8 kHz

LF-S8

- Sistema subwoofer amplificato LF50 W (Secondo Massimo)
- Woofer da 200 mm
- Funzione di taglio HF (alta frequenza, variabile: 40-120 Hz)
- Funzione di commutazione di fase

Accessori forniti in dotazione

Questo apparecchio è stato imballato in una scatola di cartone con l'ausilio di materiali speciali per evitare eventuali danneggiamenti durante la spedizione.

Si consiglia di conservare sia la scatola che tali materiali per le successive occasioni di trasporto.

I monitor VL-A sono forniti con:

	VL-A4	VL-A5V	L-A8	LF-S8
Unità principale	2 (1 coppia)	2 (1 coppia)	2 (1 coppia)	1
Cavo di alimentazione	2 (1 coppia)	2 (1 coppia)	2 (1 coppia)	1
Manuale di istruzioni	1	1	1	1
Garanzia	1	1	1	1
Piedino in gomma	0	0	0	4

Qualora uno di questi elementi dovesse mancare s'invita a rivolgersi al proprio rivenditore TASCAM di fiducia.

Precauzioni ambientali

Benché i monitor possano essere usati praticamente ovunque, per mantenerne costantemente elevate le prestazioni ed estenderne la vita operativa si raccomanda di non collocarli:

- Su una superficie instabile o soggetta a forti e frequenti vibrazioni o risonanza
- Vicino a una finestra o in un punto ove risultino esposti alla luce solare diretta
- Nei pressi dei condizionatori o dei termosifoni, oppure in un ambiente molto caldo o molto freddo
- In un ambiente molto umido o poco ventilato

Cura dei prodotti

Rimuovere la polvere o la sporcizia usando esclusivamente un panno asciutto e morbido. Non si devono usare panni di pulizia chimici, benzolo, solvente per vernici o alcol. Queste sostanze potrebbero infatti danneggiare la superficie dei monitor.

2-COLLEGAMENTO E INSTALLAZIONE

Precauzioni per il collegamento

- Durante l'apertura della confezione non si devono afferrare le unità per il lato anteriore ove sono installati i diffusori, poiché così facendo se ne potrebbe danneggiare il cono.
- Prima di collegare il cavo di alimentazione alle unità si deve portare nella posizione di spento l'interruttore di accensione ubicato sul pannello posteriore.
- Ci si deve accertare che il collegamento sia saldo e non si possa rimuovere accidentalmente.
- Prima di accendere le unità dal pannello posteriore, per evitare di danneggiarle si raccomanda di regolare al minimo o a zero i segnali in ingresso dall'apparecchio audio.
- Se si usa a lungo il sistema ad alto volume l'apparato uditivo si potrebbe danneggiare.
- A seconda del tipo di monitor TV usato con questo sistema di diffusori essi potrebbero compromettere la qualità delle immagini ivi visualizzate. In tal caso si suggerisce di provare a installare i diffusori in varie posizioni in modo da individuare quella più adatta.
- La tensione di alimentazione dell'unità deve corrispondere a quella riportata sul pannello posteriore.
- Ci si deve accertare che i cavi audio non siano danneggiati.
- Occorre impedire che nel sistema penetrino segnali che non siano quelli audio.
- I contatti del cavo audio collegato al sistema devono corrispondere all'assegnazione mostrata in "Collegamento".

Collegamento

1. Portare l'interruttore di accensione nella posizione di spento.
2. Collegare all'unità principale il cavo di alimentazione fornito in dotazione inserendone la spina a fondo affinché non possa sfilarsi. L'altra estremità del cavo deve essere collegata a una presa di rete CA.
3. Per inviare i segnali audio si deve collegare al sistema audio in uso il cavo XLR bilanciato oppure il cavo TRS. Assegnazione dei contatti per il cavo XLR bilanciato:

1: terra, 2: sotto tensione, 3: non sotto tensione

Assegnazione dei contatti per il cavo TRS bilanciato:

Punta: sotto tensione, anello: non sotto tensione, collare: terra

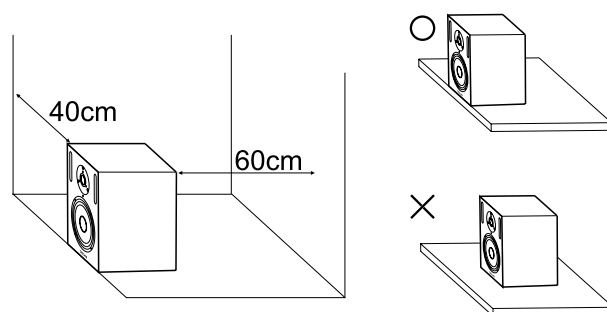
Installazione

Il posizionamento dei diffusori è critico per il corretto controllo del suono.

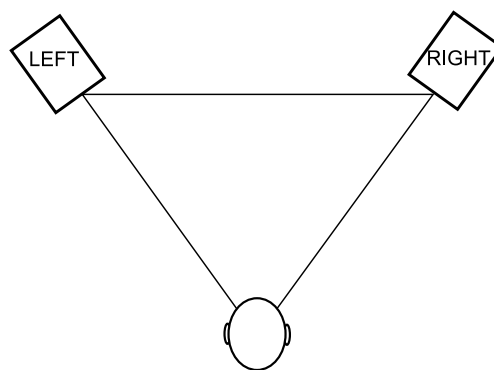
Per impiegare il sistema di diffusori al meglio delle sue prestazioni si raccomanda di osservare le istruzioni di seguito riportate.

Installazione dei VL-A:

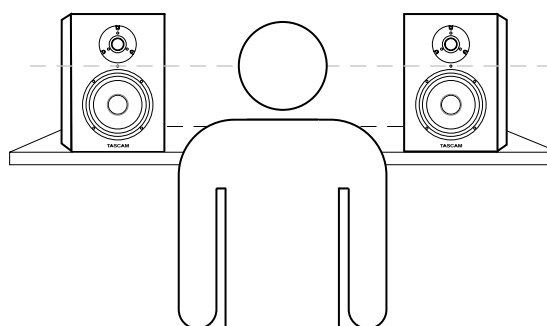
1. L'unità deve essere posizionata ad almeno 60 cm dalla parete retrostante (si raccomandano 100 cm) e ad almeno 40 cm da quelle laterali (si raccomandano almeno 60 cm).



2. Fondamentalmente due unità e l'ascoltatore devono formare un triangolo regolare.

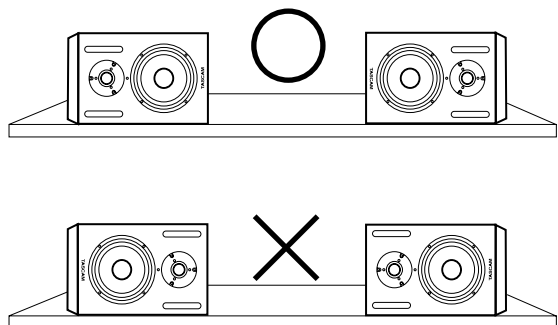


3. L'altezza di posizionamento delle unità, più precisamente il lato superiore del diffusore dei bassi, dovrebbe coincidere con l'altezza delle orecchie stabilita durante il normale ascolto.



2-COLLEGAMENTO E INSTALLAZIONE

4. Si raccomanda di posizionare le unità verticalmente. Per posizionarle orizzontalmente si raccomanda di fare riferimento al diagramma che segue.



Installazione del subwoofer

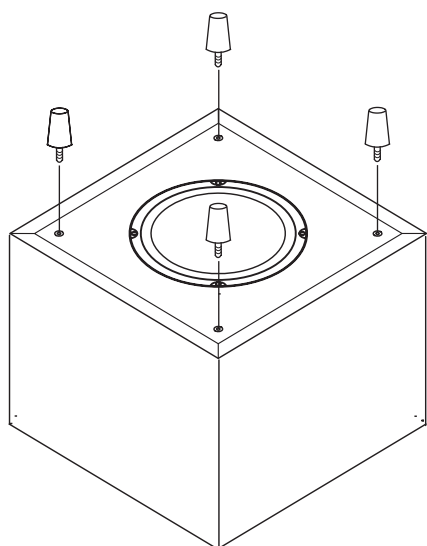
L'installazione del subwoofer nel sistema di monitor conferisce al suono una maggior ricchezza di bassi.

La posizione ottimale d'installazione del subwoofer varia in funzione della posizione d'installazione degli altri diffusori e dell'ambiente d'ascolto.

La sezione che segue illustra uno dei modi di posizionamento del subwoofer.

NOTA

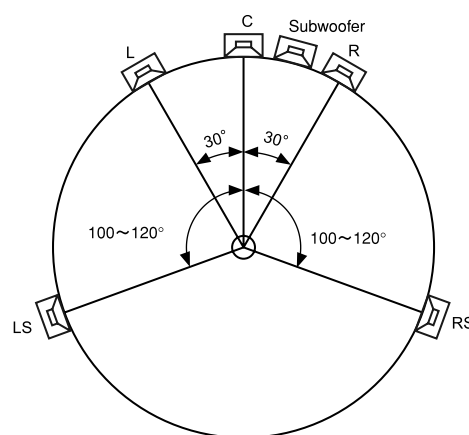
Prima di usare l'LF-S8, attaccare i piedini in gomma forniti, come illustrato.



Configurazione surround

Esso mostra il subwoofer posizionato rispetto all'ascoltatore alla stessa distanza degli altri diffusori.

L'esempio mostra la disposizione del sistema di monitor surround da 5.1 canali.



L : Main Front Lch Speaker
R : Main Front Rch Speaker
C : Center Speaker
LS : Left Surround Speaker
RS : Right Surround Speaker

NOTA

Questo esempio di configurazione aderisce alla raccomandazione ITU-R BS.775-2 della International Telecommunications Union "Sistema stereo surround multicanale con o senza immagini".

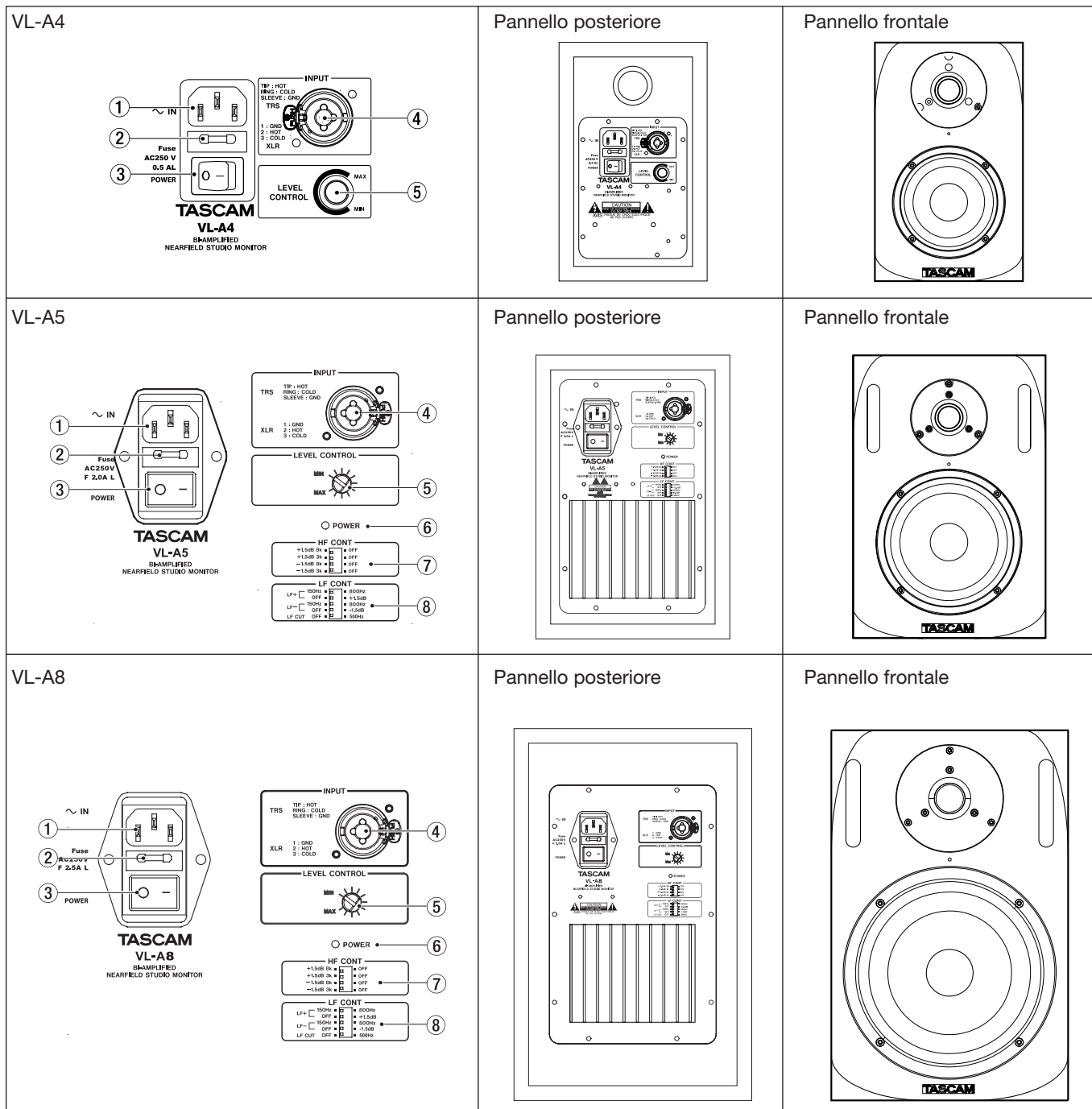
NON si devono frapporre corpi che possano ostacolare il flusso d'aria - il mezzo attraverso il quale il suono si propaga - né creare suono riflesso in particolar modo per opera di vetri, specchi o metalli. Questi materiali dovrebbero infatti essere mantenuti il più possibile lontano dai VL-A.

Funzione di protezione uscita dei tweeter (VL-A5/VL-A8)

Per impedire l'eccessivo livello d'uscita, il tweeter del VL-A5 e del VL-A8 è provvisto di un interruttore a polimeri termosensibile. Quando tale funzione si attiva l'uscita del tweeter si azzerà sino a quando la temperatura dell'interruttore ritorna a un valore normale.

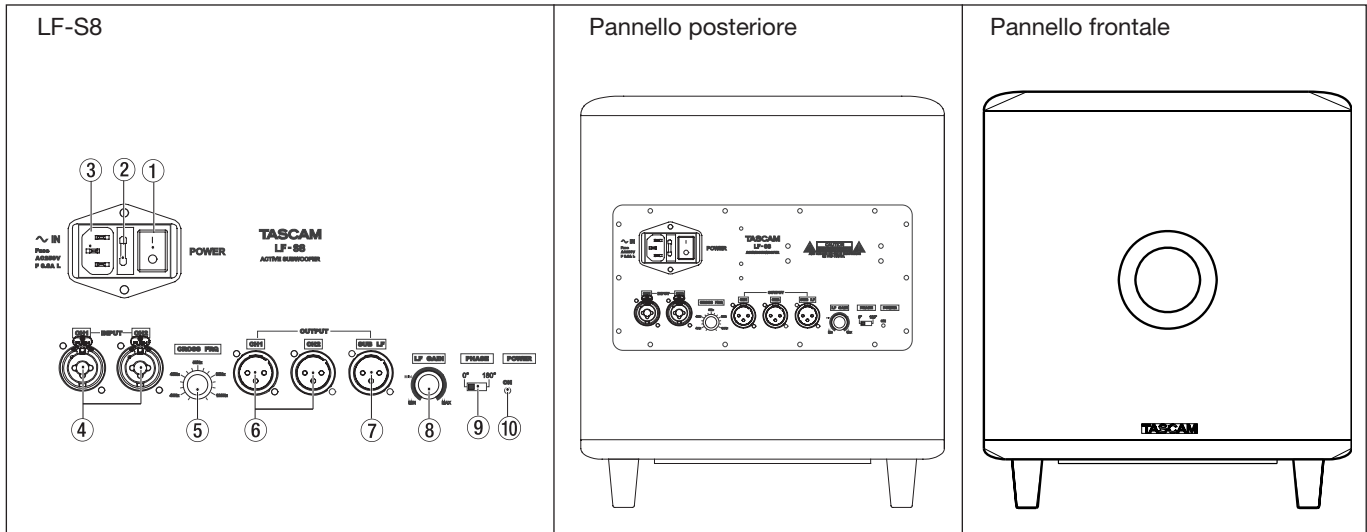
Se non si sentono i suoni acuti (uscita del tweeter) si suggerisce di spegnerlo e di attendere due o tre minuti prima di riaccenderlo. Verificare ora che i suoni acuti si possano regolarmente sentire.

3-NOMI E FUNZIONI



- ① **Presa ~ IN (AC IN)**
A questa presa ~ IN (AC IN) si deve collegare il cavo di alimentazione fornito in dotazione.
- ② **Porta fusibile**
Questa unità è provvista di un fusibile. Qualora l'unità non funzioni si raccomanda di scollegarla dalla presa di rete CA e di rivolgersi al più vicino centro di assistenza qualificato.
- ③ **Interruttore POWER**
Da premere per accendere o spegnere il monitor.
- ④ **Presca INPUT**
È un connettore d'ingresso bilanciato che impiega uno spinotto combinato con un cavo XLR bilanciato e un cavo TRS PHONE bilanciato. La presa INPUT collega l'unità a un apparecchio esterno.

- ⑤ **Manopola LEVEL CONTROL**
Da ruotare per regolare il volume d'uscita.
- ⑥ **Indicatore POWER (pannello frontale/pannello posteriore)**
Questo indicatore s'illumina quando si accende l'unità e nella presa ~ IN (AC IN) fluisce corrente alternata.
- ⑦ **Interruttori HF CONT (solo nei modelli VL-A5 e VL-A8)**
Per regolare il livello degli acuti.
+1,5 dB 8k: potenza di 1,5 dB la frequenza da 8 kHz.
+1,5 dB 3k: potenza di 1,5 dB la frequenza da 3 kHz.
-1,5 dB 8k: taglia di 1,5 dB la frequenza di 8 kHz.
-1,5 dB 3k: taglia di 1,5 dB la frequenza di 3 kHz.
- ⑧ **Interruttori LF CONT (solo nei modelli VL-A5 e VL-A8)**
Per regolare il livello dei bassi.
LF+: potenza di 1,5 dB la frequenza di 150 kHz o di 800 Hz.
LF-: taglia di 1,5 dB la frequenza di 150 Hz o di 800 Hz.
LF CUT: taglia i bassi alla frequenza di 500 Hz o meno.



① Interruttore POWER

Da premere per accendere o spegnere il monitor.

② Porta fusibile

Questa unità è provvista di un fusibile. Qualora l'unità non funzioni si raccomanda di scollegarla dalla presa di rete CA e di rivolgersi al più vicino centro di assistenza qualificato.

③ Presa ~ IN (AC IN)

A questa presa ~ IN (AC IN) si deve collegare il cavo di alimentazione fornito in dotazione.

④ Connettori INPUT CH1/CH2

Sono connettori d'ingresso bilanciati adatti al connettore XLR bilanciato e al connettore TRS PHONE bilanciato e vanno normalmente collegati alle prese di uscita di un mixer.

⑤ Manopola CROSS FREQ

Lo scopo di questo controllo è impostare una frequenza di taglio compresa tra 40 e 120 Hz in modo da eliminare le basse o le basse frequenze prodotte dal subwoofer.

⑥ Connettori OUTPUT CH1/CH2

Sono connettori d'uscita da collegare ai connettori XLR bilanciati. Qui sono posti in uscita i segnali in alta frequenza (i segnali in bassa frequenza vengono tagliati in base al valore della frequenza di taglio impostata con la manopola CROSS FREQ). Vi si può collegare un apparecchio esterno quale un amplificatore.

Quando si usa l'LF-S8 con il VL-A4, il VL-A5 o il VL-A8 è necessario collegare sia la presa INPUT di sinistra (CH1) sia quella di destra (CH2).

⑦ Connettore OUTPUT SUB LF

Lo si collega al connettore XLR bilanciato. Qui sono posti in uscita i segnali in bassa frequenza (i segnali in alta frequenza vengono tagliati in base al valore della frequenza di taglio impostata con la manopola CROSS FREQ). Vi si può collegare il secondo subwoofer.

⑧ Manopola LEVEL CONTROL

Ruotandola si regola il livello d'uscita del subwoofer.

⑨ Interruttore PHASE (0°/180°)

Permette di commutare la fase dell'uscita del subwoofer. A seconda della posizione dei diffusori o dell'abbinamento dei sistemi di diffusori la percezione dei bassi potrebbe differire. In tal caso si suggerisce di regolare con questo selettore la fase d'uscita affinché i bassi risultino più adatti alle proprie esigenze.

⑩ Indicatore POWER

Questo indicatore s'illumina quando si accende l'unità e nella presa ~ IN (AC IN) fluisce corrente alternata.

INSTRUCCIONES IMPORTANTES DE SEGURIDAD



PRECAUCION: PARA REDUCIR EL RIESGO DE DESCARGAS ELECTRICAS, NO QUITE LA CARCASA (NI LA TAPA TRASERA). DENTRO DE LA UNIDAD NO HAY PIEZAS QUE PUEDAN SER REPARADAS POR EL USUARIO. CONSULTE CUALQUIER REPARACION SOLO CON PERSONAL TECNICO CUALIFICADO.



El símbolo de un rayo dentro de un triángulo equilátero se usa internacionalmente para alertar al usuario de la presencia de “voltajes peligrosos” no aislados dentro de la carcasa del aparato que pueden ser de magnitud suficiente para constituir un riesgo real de descarga eléctrica para las personas.



El símbolo de exclamación dentro de un triángulo equilátero se utiliza para advertir al usuario de la existencia de importantes instrucciones de uso y mantenimiento (reparaciones) en los documentos que acompañan a la unidad.

Este aparato tiene un n° de serie que está colocado en la parte trasera. Escriba aquí el n° de modelo y de serie de su unidad y consérvelo para cualquier consulta.

Numero de modelo _____
Numero de serie _____

CUIDADO: PARA EVITAR EL RIESGO DE INCENDIOS O DESCARGAS ELECTRICAS, NO EXPONGA ESTE APARATO A LA LLUVIA O LA HUMEDAD.

INSTRUCCIONES IMPORTANTES DE SEGURIDAD

- 1 Lea estas instrucciones.
- 2 Conserve este manual de instrucciones.
- 3 Observe todas las precauciones.
- 4 Siga todo lo indicado en las instrucciones.
- 5 No utilice este aparato cerca del agua.
- 6 Límpielo solo con un trapo suave y seco.
- 7 Nunca bloquee ninguna de las aberturas de ventilación. Instale el aparato de acuerdo a las instrucciones facilitadas por el fabricante.
- 8 No instale este aparato cerca de fuentes de calor como radiadores, hornos, calentadores u otros aparatos (incluyendo amplificadores) que produzcan calor.
- 9 Nunca anule el sistema de seguridad que le ofrece un enchufe de tipo polarizado o con toma de tierra. Un enchufe polarizado tiene dos bornes, uno más ancho que el otro. Uno con toma de tierra tiene dos bornes iguales y una lámina para la conexión a tierra. El borne ancho de los polarizados o la lámina que comentamos se incluyen por su seguridad. Si el enchufe no encaja en su salida de corriente, póngase en contacto con un electricista para que cambie esa salida anticuada por una que esté de acuerdo a la normativa eléctrica actual.
- 10 Coloque el cable de corriente de forma que no pueda ser pisado o quedar aplastado o muy retorcido, especialmente en la zona del enchufe, receptáculos de entrada o en el punto en que salgan del aparato.
- 11 Utilice solo accesorios / añadidos especificados por el fabricante.
- 12 Use este aparato solo con un trípode, soporte, bastidor o mesa especificado por el fabricante o que se venda con el propio aparato. Cuando use un bastidor o un soporte con ruedas, tenga cuidado al mover la combinación soporte/aparato para evitar posibles daños en caso de que vuelque.
- 13 Desconecte de la corriente este aparato durante las tormentas eléctricas o cuando no lo vaya a usar durante un periodo de tiempo largo.
- 14 Dirija cualquier posible reparación solo al servicio técnico oficial. Este aparato debería ser reparado si ha resultado dañado de alguna forma como por ejemplo si se ha dañado el cable de corriente o el enchufe, si se han derramado líquidos o han caído objetos dentro del aparato, si el aparato ha quedado expuesto a la lluvia o la humedad, si no funciona correctamente o si se le ha caído al suelo.

- No permita que este aparato pueda quedar expuesto a derramamientos de líquidos.
- Nunca coloque objetos que contengan líquidos, como por ejemplo jarrones, sobre el aparato.
- No instale este aparato encastrado en ningún sitio reducido como una librería o entorno similar.
- Este aparato recibe corriente nominal no operativa de la salida de corriente CA aun cuando su interruptor POWER esté en la posición off.
- Este aparato debe estar situado lo suficientemente próximo de una salida de corriente CA para que tenga acceso directo al cable de alimentación en cualquier momento.
- Los aparatos de clase I deben ser conectados a salidas de corriente que dispongan de conexión a tierra.
- La presión sonora excesiva de los auriculares puede causar la pérdida de la audición.
- El aparato consume una energía no operacional nominal del tomacorriente de CA con su interruptor STANDBY/ON en la posición de espera.



- 13 Desconecte de la corriente este aparato durante las tormentas eléctricas o cuando no lo vaya a usar durante un periodo de tiempo largo.

1- INTRODUCCIÓN	36	3- NOMBRES Y FUNCIONES	40
Principales recursos	36	VL-A4/VL-A5/VL-A8	40
Accesorios incluidos	36	LF-S8	41
Precauciones medioambientales	37	Dimensions	50
Cuidados con el producto	37	Specifications	51
2- CONEXIÓN Y INSTALACIÓN	38	Block Diagram	52
Precauciones para la conexión	38		
Conexión	38		
Instalación.....	38		
Instalación de los VL-As.....	38		
Instalación de un subwoofer	39		
Configuración del sonido envolvente	39		
Función de protección de la unidad de salida del tweeter (VL-A5/VL-A8).....	39		

1-INTRODUCCIÓN

Gracias por la compra del Monitor de Estudio Nearfield Bi-amplificador de la serie TASCAM VL-A's, y el Monitor de Subwoofer Amplificador LF-S8.

Antes de conectar y usar este aparato, le aconsejamos que dedique un tiempo a leer completamente este manual para asegurarse de que comprende perfectamente cómo configurar y conectar su VL-A's, así como el manejo de las diversas funciones de que dispone. Una vez que lo haya leído, le recomendamos que conserve este manual en un lugar seguro para cualquier referencia a él en el futuro.

Principales recursos

VL-A4

- Sistema de Monitor de Estudio de Campo Cercano Activo Bi-amplificado HF12 W / LF16 W (Segundo máximo)
- Tweeter de 20 mm
- Woofer de 100 mm

VL-A5

- Sistema de Monitor de Estudio de Campo Cercano Activo Bi-amplificado HF30 W / LF60 W (Segundo máximo)
- Tweeter de 20 mm
- Woofer de 130 mm
- Función de corte de frecuencias bajas (500 Hz)
- Función de corrección de frecuencias bajas: Realce/corte de 1,5 dB a 150 Hz ó 800 Hz
- Función de corrección de frecuencias altas: Realce/corte de 1,5 dB a 3 kHz ó 8 kHz

VL-A8

- Sistema de Monitor de Estudio de Campo Cercano Activo Bi-amplificado HF50 W / LF90 W (Segundo máximo)
- Tweeter de 25 mm
- Woofer de 200 mm

- Función de corte de frecuencias bajas (500 Hz)
- Función de corrección de frecuencias bajas: Realce/corte de 1,5 dB a 150 Hz ó 800 Hz
- Función de corrección de frecuencias altas: Realce/corte de 1,5 dB a 3 kHz ó 8 kHz

LF-S8

- Subwoofer Amplificado LF50 W (Segundo máximo)
- Woofer de 200 mm
- Función de corte de frecuencias altas (40-120 Hz, variable)
- Función de conmutación de fase

Accesorios incluidos

Esta unidad ha sido embalada en su caja con una serie de materiales especiales para evitar posibles daños durante el transporte.

Conserve la caja y todos los materiales de embalaje por si tiene que transportar esta unidad en el futuro.

Además de este manual, se incluyen los siguientes elementos con el VL-A's:

	VL-A4	VL-A5V	L-A8	LF-S8
Unidad principal	2 (1 par)	2 (1 par)	2 (1 par)	1
Cable de alimentación	2 (1 par)	2 (1 par)	2 (1 par)	1
Manual del usuario	1	1	1	1
Garantía	1	1	1	1
Patatas de goma	0	0	0	4

En caso de que falte cualquiera de estos elementos, póngase en contacto con su distribuidor TASCAM.

Precauciones medioambientales

Puede utilizar los altavoces en muchos lugares, pero con el fin de mantener un rendimiento perfecto y alargar su vida operativa, le aconsejamos que no lo coloque en los lugares siguientes:

- Sobre una superficie inestable, o en lugares sujetos a vibraciones o resonancias frecuentes
- Cerca de una ventana o en lugares expuestos a la luz directa del sol
- Cerca de salidas de calefacciones o equipos de aire acondicionado, o en lugares muy calurosos o fríos
- En lugares con un alto porcentaje de humedad o una pobre ventilación

Cuidados con el producto

Limpie cualquier suciedad o polvo con un trapo blando y seco. No limpie con un paño de limpieza tratado químicamente, bencina, diluyente de pinturas o alcohol. Esto puede dañar la superficie del producto.

2-CONEXIÓN Y INSTALACIÓN

Precauciones para la conexión

- Cuando desempaque, no agarre por la frente de la unidad donde los excitadores están montados, ya que esto puede dañar el cono.
- Desconecte el interruptor de alimentación en el panel trasero antes de conectar el cable de alimentación a la unidad.
- Asegúrese de que la conexión esté firme para evitar una desconexión accidental.
- Ajuste los niveles de la señal de entrada en su dispositivo de audio al nivel mínimo o cero antes de encender la alimentación en el panel trasero para evitar posibles daños a la unidad.
- No utilice el sistema continuamente durante largos períodos de tiempo a niveles de volumen alto para evitar posibles daños a su audición.
- Dependiendo del monitor de TV que se utilice con el sistema, puede que el sistema de altavoces afecte la calidad de la imagen en el monitor. En este caso, intente varias posiciones para encontrar la mejor ubicación para instalar el sistema de altavoces.
- La tensión que se suministra a la unidad debe corresponder a la tensión impresa en el panel trasero.
- Utilice cables de audio que estén libres de daños.
- No envíe señales que no sean señales de audio a la unidad.
- La polaridad de un cable de audio conectado a la unidad debe corresponder a las asignaciones de las clavijas que se describen en "Conexión".

Conexión

1. Desconecte el interruptor de alimentación.
2. Conecte el cable de alimentación suministrado a la unidad principal y asegúrese de que el enchufe esté insertado completamente para evitar que se suelte. Además, conecte firmemente el otro extremo del cable de alimentación a una tomacorriente de CA.
3. Conecte el cable balanceado XLR o el cable TRS a su sistema de audio para enviar las señales de audio. Las asignaciones de las clavijas del cable balanceado XLR se muestran a continuación.

1: Masa, 2: Activo, 3: Pasivo

Las asignaciones de las clavijas del cable balanceado TRS se muestran a continuación.

Punta: Activo, Anillo: Pasivo, Lateral: Masa

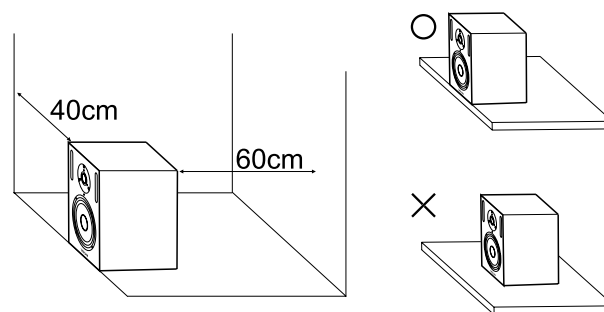
Instalación

La ubicación de los altavoces es uno de los aspectos más importantes a la hora de conseguir una monitorización correcta del sonido.

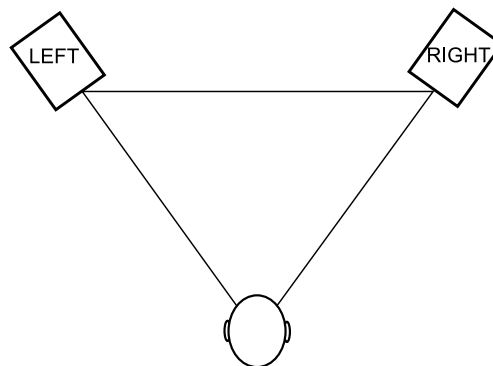
Para conseguir el mejor rendimiento del sistema e altavoces, siga las instrucciones que se explican a continuación.

Instalación de los VL-As

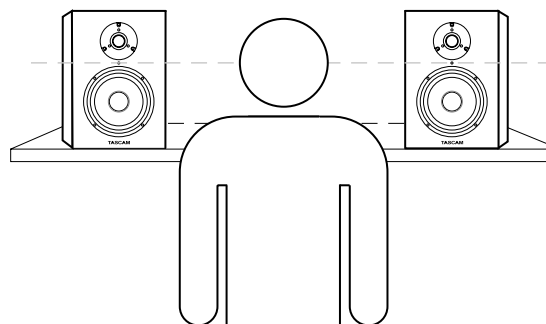
1. La unidad debe colocarse a por lo menos 60 cm (recomendable 100 cm) separada de un obstáculo hasta la parte trasera y a por lo menos 40 cm (recomendable 60 cm) desde cualquier obstáculo en cualquier lado.



2. Básicamente, debe tratar de alinear las dos unidades para que estas formen un triángulo isósceles con el oyente.

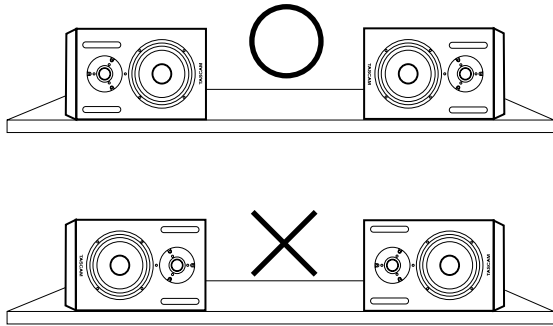


3. Las unidades, o para ser más precisos, la parte superior del woofer debería quedar a la altura de sus oídos en el entorno de escucha normal.



2-CONEXIÓN Y INSTALACIÓN

4. Le recomendamos que coloque la unidad verticalmente. En caso de que vaya colocar la unidad horizontalmente, consulte el diagrama a continuación.



Instalación de un subwoofer

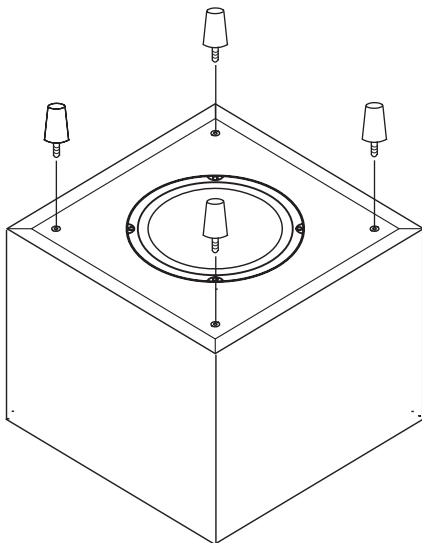
Agregar un subwoofer al sistema de monitor le permite disfrutar de sonidos graves más ricos.

La ubicación de instalación óptica del subwoofer varía de acuerdo con la colocación de los otros altavoces y del entorno de la sala.

En la siguiente sección se explica una de las formas de colocar el subwoofer.

NOTA

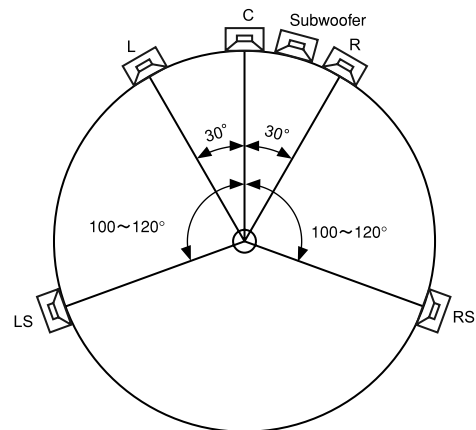
Antes de usar el LF-S8, instale las patas de goma incluidas como le mostramos en el gráfico.



Configuración del sonido envolvente

Esto muestra el subwoofer colocado a la misma distancia de la posición de escucha que los otros altavoces.

El ejemplo es la colocación del sistema de monitor de sonido envolvente de 5.1 canales.



L : Main Front Lch Speaker
R : Main Front Rch Speaker
C : Center Speaker
LS : Left Surround Speaker
RS : Right Surround Speaker

NOTA

Se recomienda esta configuración por la ITU-R, Unión Internacional de Telecomunicaciones, de acuerdo con la norma ITU-R BS.775-2 "Sistema de sonido envolvente estereofónico multicanal con y sin acompañamiento de imagen".

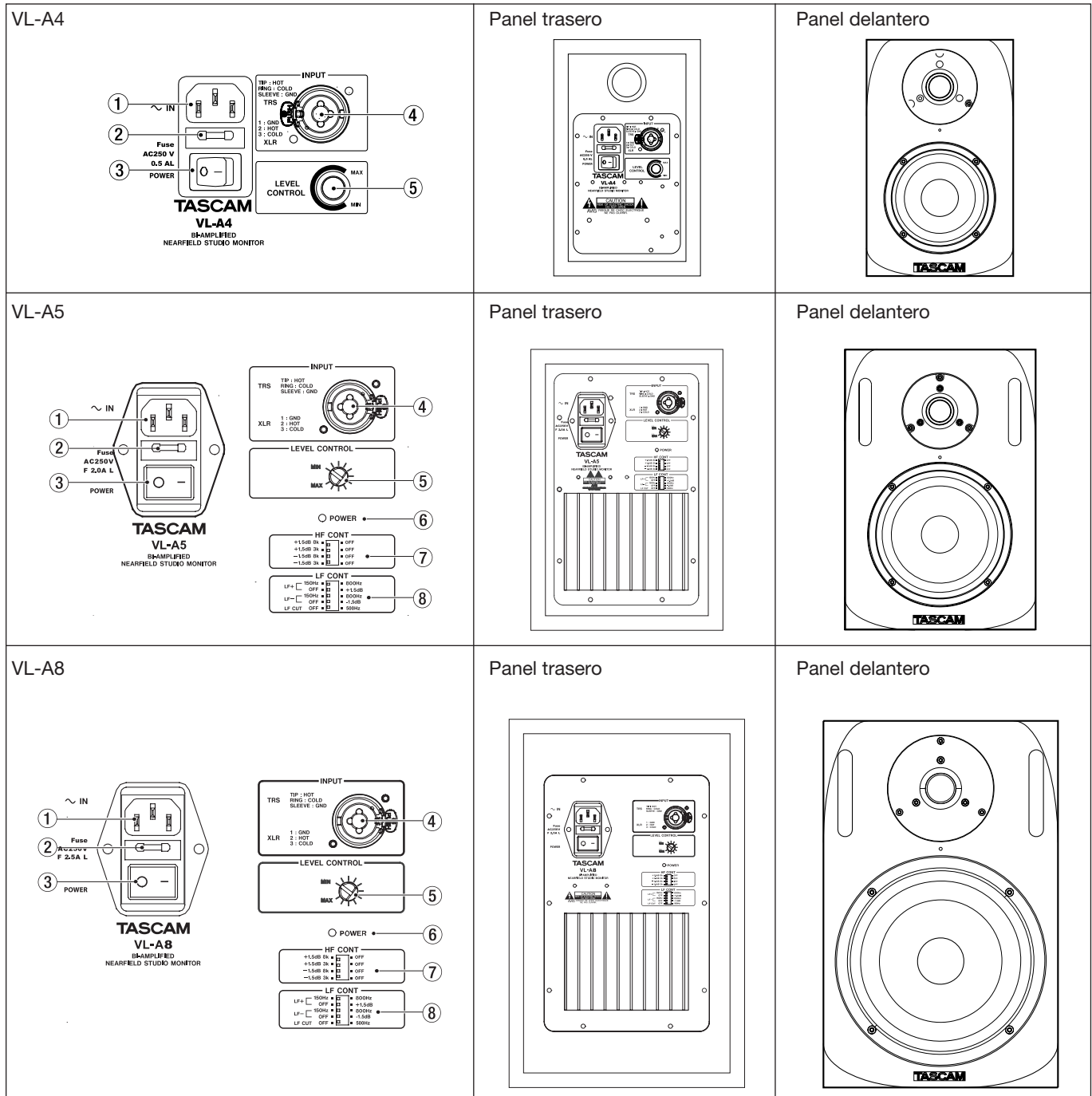
NO COLOQUE ningún objeto que pueda bloquear el flujo de aire, que es el medio a través del que se transmite el sonido, o que pueda crear reflexiones, especialmente materiales tendentes a fuertes reflexiones como el cristal, espejos o metales. Coloque este tipo de objetos lejos de la ruta del sonido procedente del VL-A's.

Función de protección de la unidad de salida del tweeter (VL-A5/VL-A8)

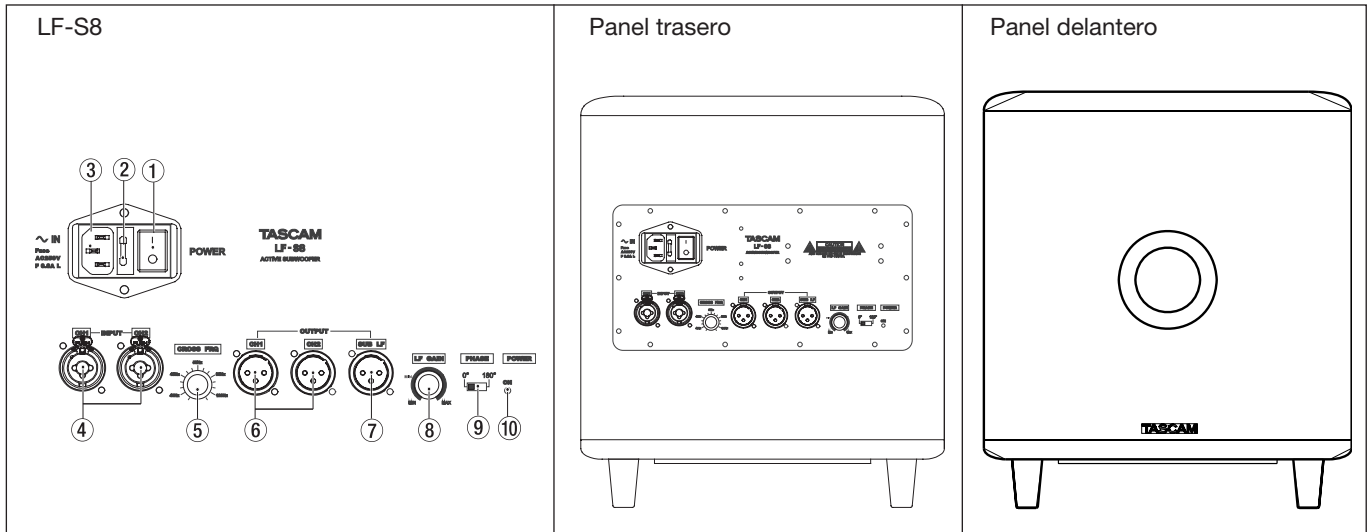
Las unidades de salida del tweeter VL-A5 y VL-A8 emplean un interruptor de polímero sensible a la temperatura como un dispositivo de protección contra una salida excesivamente alta. Una vez que se active esta función de protección, la salida del tweeter se silencia hasta que la temperatura del interruptor de polímero vuelva al normal.

Cuando no se escuchan los sonidos agudos (salida del tweeter), desconecte la alimentación y espere de dos a tres minutos antes de conectarla nuevamente. Luego, compruebe que pueda escuchar los sonidos agudos de los altavoces.

3-NOMBRES Y FUNCIONES



- 1 Toma ~ IN**
Esta toma ~ IN se utiliza para conectar el cable de alimentación suministrado.
- 2 Porta fusible**
Esta unidad se equipa con un fusible. Si la unidad no funciona, desconecte el cable de alimentación del tomacorriente de CA y póngase en contacto con de servicio calificado más cercano.
- 3 Interruptor POWER**
Se utiliza para encender y apagar el producto.
- 4 Toma INPUT**
Éste es un terminal de entrada balanceado que utiliza una toma de combinación para un cable balanceado XLR y un cable balanceado TRS PHONE. Esta toma INPUT conecta la unidad a un dispositivo externo.
- 5 Botón LEVEL CONTROL**
Se utiliza para ajustar el volumen de salida.
- 6 Indicador POWER (Panel delantero/Panel trasero)**
Este indicador se enciende cuando se suministra la energía de CA a la toma ~IN.
- 7 Interruptor HF CONT (VL-A5, VL-A8 solamente)**
Se utiliza para ajustar el nivel de los agudos.
+1,5 dB 8k: Aumenta la frecuencia de 8 kHz en 1,5 dB.
+1,5 dB 3k: Aumenta la frecuencia de 3 kHz en 1,5 dB.
-1,5 dB 8k: Corta la frecuencia de 8 kHz en 1,5 dB.
-1,5 dB 3k: Corta la frecuencia de 3 kHz en 1,5 dB.
- 8 Interruptor LF CONT (VL-A5, VL-A8 solamente)**
Se utiliza para ajustar el nivel de los graves.
LF+: Aumenta la frecuencia de 150 Hz ó 800 Hz en 1,5 dB.
LF-: Corta la frecuencia de 150 Hz ó 800 Hz en 1,5 dB.
LF CUT: Corta los graves a una frecuencia de 500 Hz o menos.



① Interruptor POWER

Se utiliza para encender y apagar el producto.

② Porta fusible

Esta unidad se equipa con un fusible. Si la unidad no funciona, desconecte el cable de alimentación del tomacorriente de CA y póngase en contacto con de servicio calificado más cercano.

③ Toma ~ IN

Esta toma ~ IN se utiliza para conectar el cable de alimentación suministrado.

④ Tomas INPUT CH1/CH2

Estas tomas de entrada balanceadas se utilizan tanto para conectores balanceados XLR cuanto para conectores balanceado PHONE TRS, y típicamente se conectan a las tomas de salida de un mezclador.

⑤ Botón CROSS FREQ

Se utiliza este control para ajustar la frecuencia de corte entre 40 a 120 Hz para cortar la salida de frecuencias altas y bajas del subwoofer.

⑥ Tomas OUTPUT CH1/CH2

Estas tomas de salida se utilizan para conectar conectores balanceados XLR. La toma emite las señales de frecuencias alta (se corta la frecuencia alta de acuerdo con el ajuste de la frecuencia de corte con el botón CROSS FREQ). Se puede conectar un dispositivo externo como un amplificador de potencia a esta toma. Cuando utilice el LF-S8 con el VL-A4, VL-A5 ó VL-A8, conecte ambas las tomas INPUT, izquierda (CH1) y derecha (CH2).

⑦ Toma OUTPUT SUB LF

Esta toma de salida conecta un conector balanceado XLR. La toma emite las señales de frecuencias bajas (la frecuencia alta se corta de acuerdo con el ajuste de la frecuencia de corte con el botón CROSS FREQ). Se conecta un segundo subwoofer a esta toma.

⑧ Botón LEVEL CONTROL

Se utiliza para ajustar el nivel de salida del subwoofer.

⑨ Interruptor PHASE (0°/180°)

Se utiliza para cambiar la fase de salida del subwoofer. Dependiendo de la colocación de los altavoces o de la combinación de sistemas de altavoces, puede que se escuchen los sonidos graves de manera diferente. En este caso, intente ajustar la fase de salida con este interruptor para que los sonidos graves suenen mejores.



⑩ Indicador POWER

Este indicador se enciende cuando se suministra la energía de CA a la toma ~ IN.




安全にお使いいただくために

この取扱説明書への表示では、製品を安全に正しくお使いいただき、あなたや他の人々への危害や財産への損害を未然に防止するために、いろいろな絵表示をしています。その表示と意味は次のようになっています。内容をよく理解してから本文をお読みください。

表示の意味

 警告	この表示を無視して、誤った取扱いをすると、人が死亡または重傷を負う可能性が想定される内容を示しています。
 注意	この表示を無視して、誤った取扱いをすると、人が傷害を負う可能性が想定される内容および物的損害のみの発生が想定される内容を示しています。

絵表示の例

	△記号は注意（警告を含む）を促す内容があることを告げるものです。
	⊘記号は禁止の行為であることを告げるものです。 ⊘の中に具体的な禁止内容（左図の場合は分解禁止）が描かれています。
	●記号は行為を強制したり指示する内容を告げるものです。 ⊘の中に具体的な指示内容（左図の場合は電源プラグをコンセントから抜け）が描かれています。

警告



万一、煙が出ている、変なにおいや音がするなどの異常状態のまま使用すると、火災・感電の原因となります。すぐに機器本体の電源スイッチを切り、電源プラグをコンセントから抜いてください。煙が出なくなるのを確認して販売店またはティアック修理センターに修理をご依頼ください。



万一機器の内部に異物や水などが入った場合は、まず機器本体の電源スイッチを切り、電源プラグをコンセントから抜いて、販売店またはティアック修理センターにご連絡ください。そのまま使用すると火災・感電の原因となります。



電源コードが傷んだら（芯線の露出、断線など）販売店またはティアック修理センターに交換をご依頼ください。そのまま使用すると火災・感電の原因となります。



この機器を使用できるのは日本国内のみです。表示された電源電圧（交流100ボルト）以外の電圧で使用しないでください。また、船舶などの直流（DC）電源には接続しないでください。火災・感電の原因となります。



この機器の通風孔をふさがらないでください。通風孔をふさぐと内部に熱がこもり、火災の原因となります。



この機器の通風孔などから内部に金属類や燃えやすいものなどを差し込んだり、落とし込んだりしないでください。火災・感電の原因となります。



この機器の上に花瓶や水などの入った容器や小さな金属物を置かないでください。こぼれたり、中に入った場合火災・感電の原因となります。



電源コードの上に重いものをのせたり、コードが本機の下敷にならないようにしてください。コードに傷がついて、火災・感電の原因となります。



電源コードを傷つけたり、加工したり、無理に曲げたり、ねじったり、引っ張ったり、加熱したりしないでください。コードが破損して、火災・感電の原因となります。



この機器のカバーは絶対に外さないでください。感電の原因となります。内部の点検・修理は販売店またはティアック修理センターにご依頼ください。



この機器を改造しないでください。火災・感電の原因となります。

⚠ 警告



万一、この機器を落としたり、キャビネットを破損した場合は、機器本体の電源スイッチを切り、電源プラグをコンセントから抜いて、販売店またはティアック修理センターにご連絡ください。そのまま使用すると火災・感電の原因となります。



この機器を設置する場合は、壁から20 cm以上の間隔をおいてください。また、放熱をよくするために、他の機器との間は少し離して置いてください。ラックなどに入れるときは、機器の天面から2 cm以上、背面から10 cm以上のすきまをあけてください。内部に熱がこもり、火災の原因となります。



電源プラグの刃および刃の付近にほこりや金属物が付着している場合は、電源プラグを抜いてから乾いた布で取り除いてください。そのまま使用すると火災・感電の原因となります。

⚠ 注意



オーディオ機器、スピーカー等の機器を接続する場合は、各々の機器の取扱説明書をよく読み、電源を切り、説明に従って接続してください。また接続は指定のコードを使用してください。



電源プラグを抜くときは、電源コードを引っ張らないでください。コードが傷つき、火災・感電の原因となることがあります。必ずプラグを持って抜いてください。



電源を入れる前には音量を最小にしてください。突然大きな音が出て聴力障害などの原因となることがあります。



この機器はコンセントの近くに設置し、電源プラグに容易に手が届くようにしてください。



5年に一度くらいは機器内部の掃除を販売店またはティアック修理センターにご相談ください。内部にほこりがたまったまま、長い間掃除をしないと火災や故障の原因となることがあります。特に、湿気の多くなる梅雨期の前に行うと、より効果的です。なお、掃除費用についてはご相談ください。



移動させる場合は、電源スイッチを切り、必ず電源プラグをコンセントから抜き、機器間の接続コードなど外部の接続コードを外してから行ってください。コードが傷つき、火災・感電の原因となることがあります。



次のような場所に置かないでください。火災、感電やけがの原因となることがあります。

- ・ 調理台や加湿器のそばなど油煙や湯気があたる場所
- ・ 湿気やほこりの多い場所
- ・ ぐらついた台の上や傾いた所など不安定な場所



旅行などで長期間、この機器をご使用にならないときは、安全のため必ず電源プラグをコンセントから抜いてください。



電源コードを熱器具に近付けないでください。コードの被ふくが溶けて、火災・感電の原因となることがあります。



お手入れの際は安全のため電源プラグをコンセントから抜いて行ってください。



この機器には、付属の電源コードセットをご使用下さい。それ以外の物を使用すると故障、火災、感電の原因となります。



濡れた手で電源プラグを抜き差ししないでください。感電の原因となることがあります。



付属の電源コードセットを他の機器に使用しないでください。故障、火災、感電の原因となります。

目次

安全にお使いいただくために	42	設置	46
目次	44	メインスピーカーの設置	46
第1章 はじめに	44	サブウーファーの設置	47
主な特長	44	サラウンドのセットアップ	47
本機の構成	44	ツイーター出力部の保護機能[VL-A5/VL-A8]	47
設置上のご注意	45	第3章 各部の機能と名称	48
製品のお手入れ	45	VL-A4/VL-A5/VL-A8	48
アフターサービス	45	LF-S8	49
この製品の取り扱いなどに関するお問い合わせは	45	Dimension	50
故障・修理や保守についてのお問い合わせ	45	Specification	51
第2章 接続・設置	46	Block Diagram	52
接続前のご注意	46		
接続	46		

第1章 はじめに

このたびはTASCAM VL-A'シリーズのスタジオモニターをお買い上げいただきまして、誠にありがとうございます。

ご使用になる前にこの取扱説明書をよくお読みいただき、正しい取り扱い方法をご理解いただいた上で、十分に機能を発揮させ末永くご愛用くださいますようお願い申し上げます。お読みになったあとは、いつでも見られるところに保管してください。

主な特長

VL-A4

- HF: 9 W / LF: 12 W (瞬時最大) アンプ内蔵ニアフィールドスタジオモニター
- 0.8 インチ ツイーター
- 4インチ ウーハー

VL-A5

- HF: 22 W / LF: 45 W (瞬時最大) アンプ内蔵ニアフィールドスタジオモニター
- 0.8 インチ ツイーター
- 5.25インチ ウーハー
- 低域カット機能 (500 Hz)
- 低域補正機能 150 Hz または800 Hz を1.5 dB ブースト/カット
- 高域補正機能 3 kHz または8 k Hz を1.5 dB ブースト/カット

VL-A8

- HF: 37 W / LF: 67 W (瞬時最大) アンプ内蔵ニアフィールドスタジオモニター
- 1 インチ ツイーター
- 8 インチ ウーハー

- 低域カット (500 Hz) 機能
- 低域補正機能 150 Hz または800 Hz を1.5 dB ブースト/カット
- 高域補正機能 3 kHz または8 k Hz を1.5 dB ブースト/カット

LF-S8

- LF: 37 W (瞬時最大) アンプ内蔵サブウーファー
- 8 インチ ウーハー
- 高域カット機能 (40Hz~120Hz可変)
- 位相切替機能

本機の構成

本機の構成は以下の通りです。なお、本機を開梱する時、損傷を与えないよう慎重に行なってください。梱包箱と梱包材は後日輸送するときのために保管しておいてください。

付属品が不足している場合や輸送中の損傷が見られる場合、当社までご連絡ください。

	VL-A4	VL-A5	VL-A8	LF-S8
本体	2 (1ペア)	2 (1ペア)	2 (1ペア)	1
電源コード	2 (1ペア)	2 (1ペア)	2 (1ペア)	1
取扱説明書	1	1	1	1
保証書	1	1	1	1
ゴム足	0	0	0	4

設置上のご注意

設置場所について次のような場所に設置しないでください。音質低下の原因、または故障の原因となります。

- 振動の多い場所や不安定な場所。
- 窓際など直射日光が当たる場所。
- 暖房器具のそばなど極端に温度が高い場所。
- 極端に温度が低い場所。
- 湿気が多い場所や風通しが悪い場所。

製品のお手入れ

製品の汚れは、柔らかい布でからぶきしてください。

化学ぞうきん、ベンジン、シンナー、アルコール等で拭かないでください。表面を痛める原因となります。

アフターサービス

- この製品には保証書を別途添付しております。保証書は所定事項を記入してお渡ししておりますので、大切に保管してください。
- 保証期間はお買い上げ日より1年です。保証期間中は記載内容によりティアック修理センターが修理いたします。ただし、業務用製品の場合は、保証期間内であっても使用1,000時間を超えた場合は有償になります。その他の詳細につきましては保証書をご参照ください。
- 保証期間経過後、または保証書を提示されない場合の修理などについては、お買い上げの販売店またはティアック修理センターなどにご相談ください。修理によって機能を維持できる場合は、お客さまのご要望により有料修理いたします。
- 万一、故障が発生し修理を依頼される場合は、次の事項を確認の上、ティアック修理センターまでご連絡ください。
 - 型名、型番 (VL-A4/VL-A5/VL-A8/LF-S8)
 - 製造番号 (Serial No.)
 - 故障の症状 (できるだけ詳しく)
 - お買い上げ年月日
 - お買い上げ販売店名

この製品の取り扱いなどに関するお問い合わせは

タスカム営業技術までご連絡ください。お問い合わせ受付時間は、土・日・祝日・弊社休業日を除く10:00～12:00/13:00～17:00です。

タスカム営業技術

〒206-8530 東京都多摩市落合1-47



0120-152-854

携帯電話・PHS・IP電話などからはフリーダイヤルをご利用いただけませんので、通常の電話番号（下記）にお掛けください。

電話：042-356-9137

FAX：042-356-9185

故障・修理や保守についてのお問い合わせは

修理センターまでご連絡ください。

お問い合わせ受付時間は、土・日・祝日・弊社休業日を除く9:30～17:00です。

ティアック修理センター

〒190-1232 東京都西多摩郡瑞穂町長岡2-2-8



一般電話・公衆電話から市内通話料金でご利用いただけます。

0570-000-501

ナビダイヤルは全国どこからお掛けになっても市内通話料金でご利用いただけます。

PHS・IP電話などからはナビダイヤルをご利用いただけませんので、通常の電話番号（下記）にお掛けください。

新電電各社をご利用の場合、「0570」がナビダイヤルとして正しく認識されず、「現在、この電話番号は使われておりません」などのメッセージが流れることがあります。このような場合は、ご契約の新電電各社へお問い合わせいただくか、通常の電話番号（下記）にお掛けください。

電話：042-556-2280

FAX：042-556-2281

第2章 接続・設置

接続前のご注意

- 本機を開梱するとき、スピーカー部を持たないでください。
- 信号ケーブルやAC電源コードは、引っ掛けたりする恐れのないように接続してください。
- 本機の内蔵アンプの電源を入れる前には、入力信号をゼロか最小にしてから電源を入れてください。大きな入力信号のまま電源を入れると、スピーカーユニットを損傷する恐れがあります。
- 大音量で長時間連続使用しないでください。聴覚上の障害をおこす恐れがあります。
- このスピーカーシステムは防磁加工されていますが、組み合わせるテレビモニターの種類によっては、画面への影響が異なります。設置位置を確定する前に、いろいろな設置方法や位置などをテストしてください。
- 電源電圧はAC100Vを使用してください。
- 電源コードや電源コンセントまたは音声信号ケーブルやプラグには、損傷がなく、芯線同士のショートなどのないものをご使用ください。
- 内蔵パワーアンプ用電源スイッチ（リアパネル）をオフにしてから電源コードを接続してください。
- 内蔵パワーアンプ用電源ヒューズは定められた規格のものをご使用ください。
- 本機には音声信号以外の信号を入力しないでください。
- 音声信号を本機に接続する際には、入力信号レベルをゼロか小にし、内蔵パワーアンプの電源スイッチをオフになっていることを確認してから接続してください。
- 音声信号は正しい極性で入力してください。

接続

1. 電源スイッチをオフにしてください。
2. 付属の電源コードを本機に接続し、プラグが抜けないう奥まで確実に差し込んでください。また、電源コードのもう一方をAC 100Vのコンセントに確実に接続してください。
3. XLRタイプまたはTRSジャックを接続して音声信号を入力してください。

XLRタイプのピン配列は以下の通りです。

1 : グラウンド、2 : ホット、3 : コールド

TRSタイプのピン配列は以下の通りです。

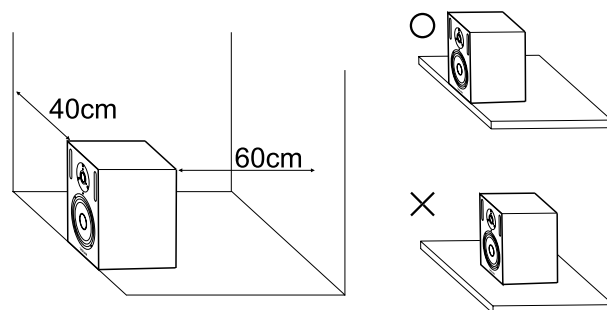
Tip : ホット、Ring : コールド、Sleeve : グラウンド

設置

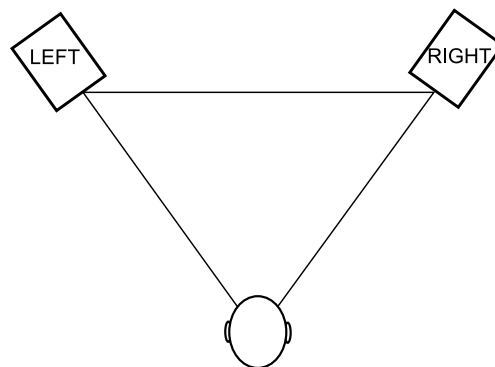
正しくモニターを行うためには、スピーカーの設置は非常に重要です。本機の性能を最大限に活用するために、以下の手順に従って、スピーカーの設置を行ってください。

メインスピーカーの設置

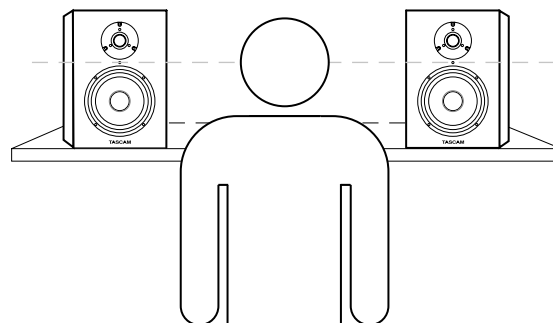
1. 壁から背面は60cm（100cm推奨）、側面は40cm（60cm推奨）以上離してください。



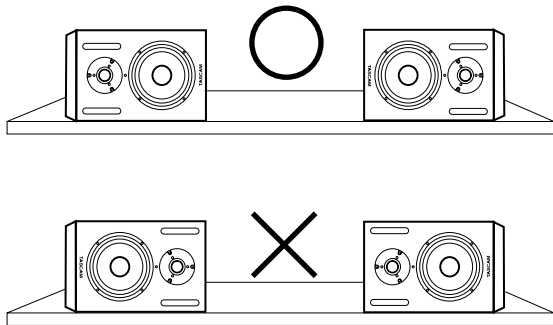
2. リスニングポイントと2つのスピーカーユニットが、正三角形になるように設置してください。



3. ウーファの最上部が耳の高さの位置になるように設置してください。



4. VL-A4,VL-A5,VL-A8は縦置きでお使いください。横置きはお勧めしませんが、横置きする場合は、図のように、ツイーターを外側にして設置してください。



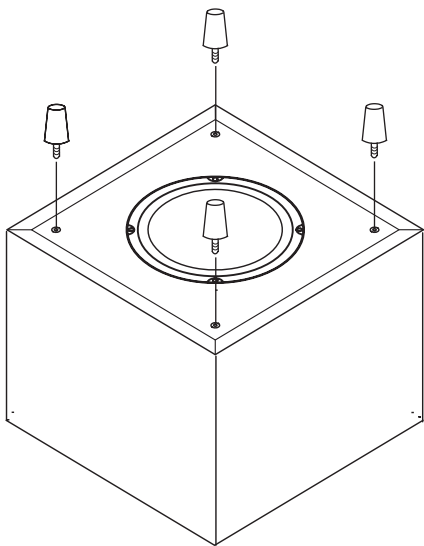
サブウーファーの設置

モニターシステムにサブウーファーを追加する事によって、より豊かな低域再生が可能となります。

サブウーファーの設置位置は他のスピーカーや部屋の環境により最適な位置が異なります。一つの方法として他のスピーカーと同一のリスニング距離となるように設置する方法があります。

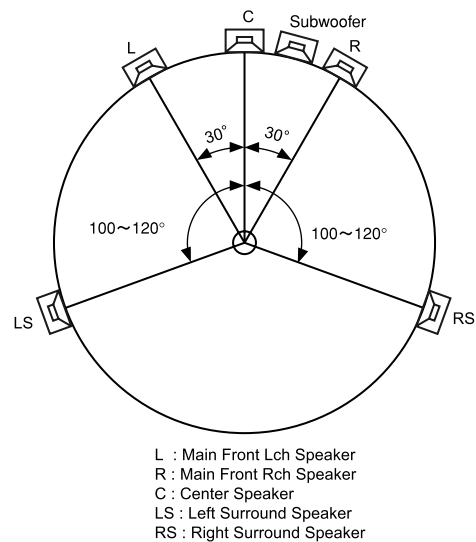
メモ

LF-S8をご使用前には、付属のゴム足を取り付けてください。



サラウンドのセットアップ

5.1chサラウンドのモニターを設置する場合の一例を示します。



このセットアップ例はITU (国際電気通信連合: International Telecommunications Union) 勧告 ITU-R BS.775-2 [Multichannel stereophonic sound system with and without accompanying picture]に基づくものです。

* ITU-R BS.775-2ではサブウーファーの設置位置には言及していませんが、一つの方法として他のスピーカーと同一のリスニング距離となるように設置する方法があります。

ご注意

鏡、ガラスなど、音を反射させるものなどの近くに設置しないでください。また、スピーカーとリスニングポイントの間にも物を置かないでください。

ツイーター出力部の保護機能[VL-A5/VL-A8]

VL-A5,VL-A8のツイーター出力部には過大出力時の保護素子としてポリスイッチを使用しています。

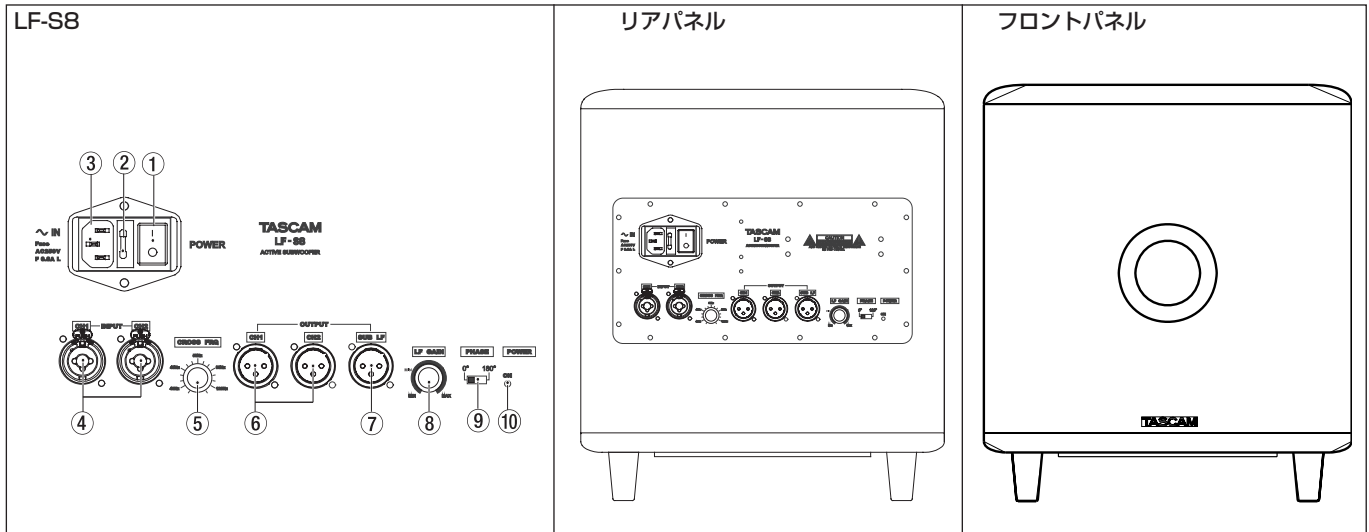
一度、保護保護機能が働くとポリスイッチの温度が下がるまでツイーター出力はミュートされます。

スピーカーの高音域(ツイーター出力)が出力されない場合は、電源を切り、2~3分たってから再度電源を入れて高音域の出力を確認してください。

第3章 各部の機能と名称

<p>VL-A4</p>	<p>リアパネル</p>	<p>フロントパネル</p>
<p>VL-A5</p>	<p>リアパネル</p>	<p>フロントパネル</p>
<p>VL-A8</p>	<p>リアパネル</p>	<p>フロントパネル</p>

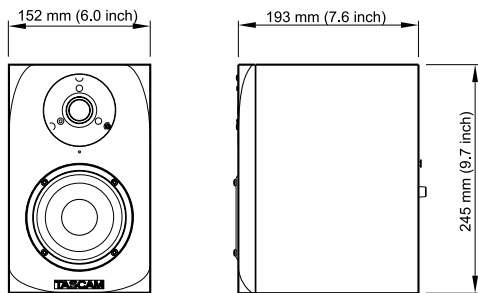
- ① ~IN端子
付属の電源コードを接続します。
- ② ヒューズホルダー
本機はヒューズを備えています。万一、動作しなくなった場合は、電源プラグを抜いて修理センターにご相談ください。
- ③ POWERスイッチ
電源のオン/オフを行います。
- ④ INPUT端子
XLRタイプとTRS PHONEタイプのコンビネーションジャックを使用したバランス型入力端子です。
ミキサーからの出力等を接続します。
- ⑤ LEVEL CONTROLつまみ
出力音量を調整します。
- ⑥ POWERインジケータ (フロントパネル/リアパネル)
~ IN端子にAC電源を供給し、パワースイッチをオンにすると点灯します。
- ⑦ HF CONTスイッチ (VL-A5、VL-A8のみ)
高域の音量を調整します。
+ 1.5dB 8k : 8kHzを1.5dBブーストします。
+ 1.5dB 3k : 3kHzを1.5dBブーストします。
- 1.5dB 8k : 8kHzを1.5dBカットします。
- 1.5dB 3k : 3kHzを1.5dBカットします。
- ⑧ LF CONTスイッチ (VL-A5、VL-A8のみ)
低域の音量を調整します。
LF+ : 150Hzまたは800Hzを1.5dBブーストします。
LF- : 150Hzまたは800Hzを1.5dBカットします。
LF CUT : 500Hz以下の低域をカットします。



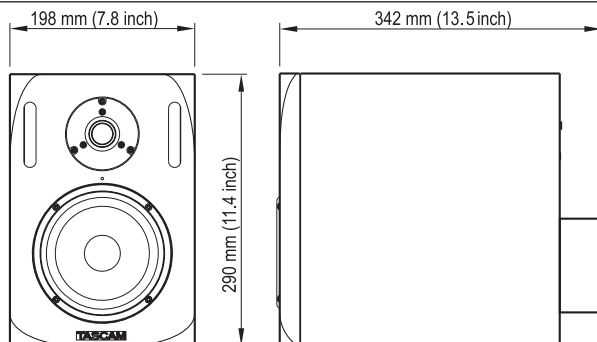
- ① **POWERスイッチ**
電源のオン/オフを行います。
- ② **ヒューズホルダー**
本機はヒューズを備えています。万一、動作しなくなった場合は、電源プラグを抜いて修理センターにご相談ください。
- ③ **～ IN端子**
付属の電源コードを接続します。
- ④ **INPUT CH1/CH2 端子**
XLRタイプとTRS PHONEタイプのコンビネーションジャックを使用したバランス型入力端子です。
通常はミキサーからのL/R出力等を接続します。
- ⑤ **CROSS FREQつまみ**
サブウーファーの高域カットオフ周波数を40Hzから120Hzの間で調整します。
- ⑥ **OUTPUT CH1/CH2 端子**
XLRタイプのバランス型出力端子です。
フロントスピーカー用のパワーアンプなどに接続します。
CROSS FREQつまみで設定した周波数が低域カットオフ周波数となります。
VL-A4、VL-A5、VL-A8と組み合わせて、ご使用の場合はそれぞれ左(CH1)、右(CH2)のINPUT端子に接続します。
- ⑦ **OUTPUT SUB LF端子**
XLRタイプのバランス型出力端子です。
CROSS FREQつまみで設定した周波数が高域カットオフ周波数となります。
2台目のサブウーファーを使用する時に接続します。
- ⑧ **LEVEL CONTROLつまみ**
サブウーファースピーカー出力音量を調整します。
- ⑨ **PHASEスイッチ (0° / 180°)**
サブウーファースピーカー出力の位相を切り替えます。
組み合わせて使用するスピーカーや設置状況などにより、低域再生が異なりますので、視聴をして低域再生が良好になるポジションで使用してください。
- ⑩ **POWERインジケータ (フロントパネル/リアパネル)**
～IN端子にAC電源を供給し、パワースイッチをオンにすると点灯します。

Dimensions

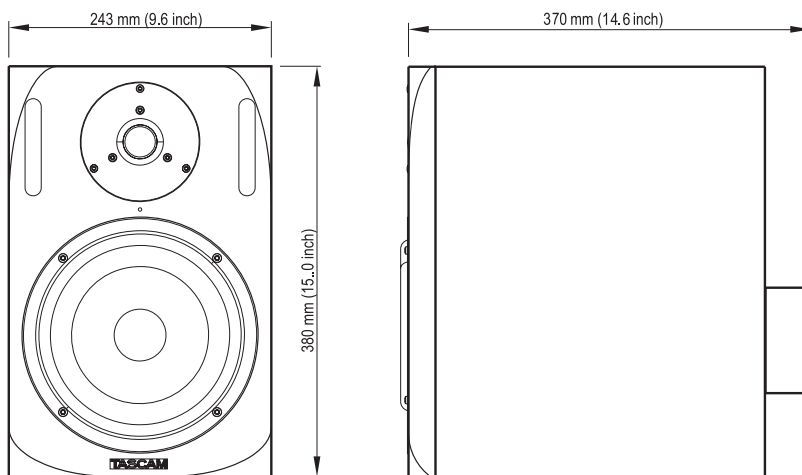
VL-A4



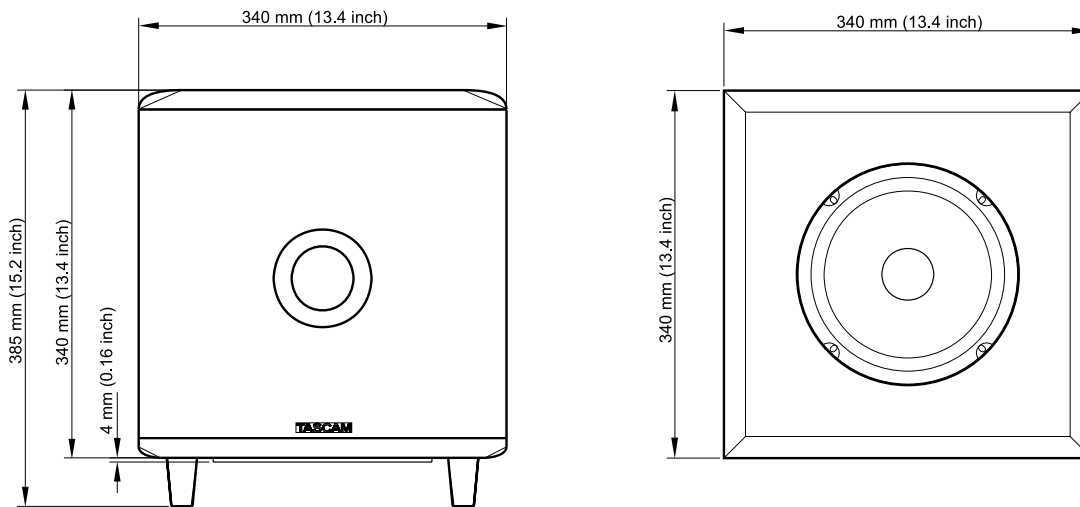
VL-A5



VL-A8



LF-S8



FRONT

BOTTOM

ENGLISH

DEUTSCH

FRANÇAIS

ITALIANO

ESPAÑOL

日本語

Specifications

MODEL		VL-A4	VL-A5	VL-A8	LF-S8	
TYPE	HF	4" Studio Monitoring Speakers	5.25" Studio Monitoring Speakers	8" Studio Monitoring Speakers	8" multipurpose subwoofer	
	LF	0.8" soft dome tweeter	0.8" soft dome tweeter	1" soft dome tweeter	-	
Resource Materials	HF	direct radiating bass reflex 4" woofers rear air port	direct radiating bass reflex 5.25" woofers front dual air port	direct radiating bass reflex 8" woofers front dual air port	direct radiating bass reflex 8" woofer	
		Diaphragm	0.8" soft dome	0.8" soft dome	1" soft dome	-
	LF	voice coil	20mm, kapton, CCAW, 8Ω	20mm, kapton, CCAR, 8Ω	25mm, kapton, CCAR, 4Ω	-
		cone	4" p.p cone	5.25" paper cone	8" paper cone	8" paper cone
		frame	steel	steel	steel	steel
voice coil	25mm, kapton, SVW, 4Ω	25mm, kapton, SVW, 8Ω	35mm, kapton, SVW, 4Ω	25mm, kapton, SVW, 8Ω		
Amplifier Power [Typical]	HF	Rated	9W [AC120V/AC230V] 6W [AC100V]	15W [AC120V/AC230V] 12W [AC100V]	25W [AC120V/AC230V] 18W [AC100V]	-
		Instant Maximum	THD <5% at 8Ω load 8KHz 12W [AC120V/AC230V] 9W [AC100V]	THD <0.1% at 8Ω load 8KHz 30W [AC120V/AC230V] 22W [AC100V]	THD <0.1% at 4Ω load 8KHz 50W [AC120V/AC230V] 37W [AC100V]	-
	LF	Rated	10W [AC120V/AC230V] 7W [AC100V]	30W [AC120V/AC230V] 22W [AC100V]	45W [AC120V/AC230V] 33W [AC100V]	30W [AC120V/AC230V] 22W [AC100V]
		Instant Maximum	16W [AC120V/AC230V] 12W [AC100V] THD <5% at 4Ω load 500Hz	60W [AC120V/AC230V] 45W [AC100V] THD <0.1% at 8Ω load 500Hz	90W [AC120V/AC230V] 67W [AC100V] THD <0.1% at 4Ω load 500Hz	50W [AC120V/AC230V] 37W [AC100V] THD <5% at 8Ω load 100Hz
	S/N (30KHz LPF)	85dB	90dB	90dB	-	
Output Power 1m/SPL	HF	100dB at 12W	106dB at 30W	110dB at 50W	-	
	LF	99dB at 20W	105dB at 60W	110dB at 90W	106dB at 50W	
Crossover Frequency		3kHz (-18dB/oct)	3kHz (-18dB/oct)	2.2kHz (-18dB/oct)	45-120 (-18dB/oct)	
Overall Frequency Response		70Hz~26KHz (-6dB)	30Hz~26KHz (-6dB)	25Hz~23KHz (-6dB)	25Hz~128Hz (-6dB)	
Control	HF adjustment	-	3KHz/8KHz +1.5dB/-1.5dB	3KHz/8KHz +1.5dB/-1.5dB	-	
	LF adjustment	-	150Hz/800Hz +1.5dB/-1.5dB	150Hz/800Hz +1.5dB/-1.5dB	-	
	LF Cut	-	500Hz (-12dB/oct)	500Hz (-12dB/oct)	-	
	Phase Switch	-	-	-	0°/ 180°	
Input	Connectors	XLR3-31 and 1/4" balanced combination Jack	<---	<---	XLR3-31 and 1/4" balanced combination Jack x 2	
	input signal	input impedance 10KΩ input level +11dBu full power output variable from -13dB to +10dB	<--- input level +8dBu full power output variable from -14dB to +16dB	<--- <---	<--- input level +3.5dBu full power output	
Output	Connectors				XLR3-32 balanced x3 impedance 120Ω	
	output signal				Output MAX+19dBV adjustment crossover point 45Hz~120Hz (-18dB/oct)	
Weight (kg)		3.6kg	8.3kg	11.5kg	12.7kg	
Dimensions (H x W x D mm)		245x152x193	290x198x342	380x243x370	340x340x340 4pcs Foot 45x28x20	
Powers	power source	AC100~120V, AC220~240V, 50/60Hz	AC100~120V, AC220~240V, 50/60Hz	AC100~120V, AC220~240V, 50/60Hz	AC100~120V, AC220~240V, 50/60Hz	
		11W at AC100V	22W at AC100V	38W at AC100V	10W at AC100V	
	power consumption	11W at AC120V	38W at AC120V	65W at AC120V	18W at AC120V	
		11W at AC230V	38W at AC230V	65W at AC230V	18W at AC230V	

ENGLISH

DEUTSCH

FRANÇAIS

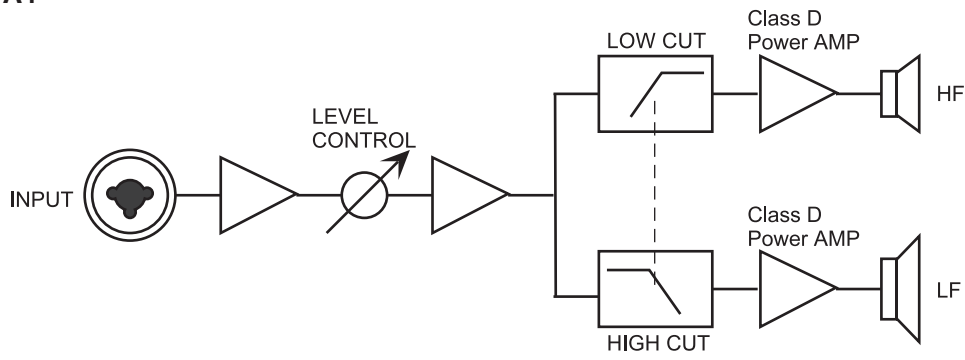
ITALIANO

ESPAÑOL

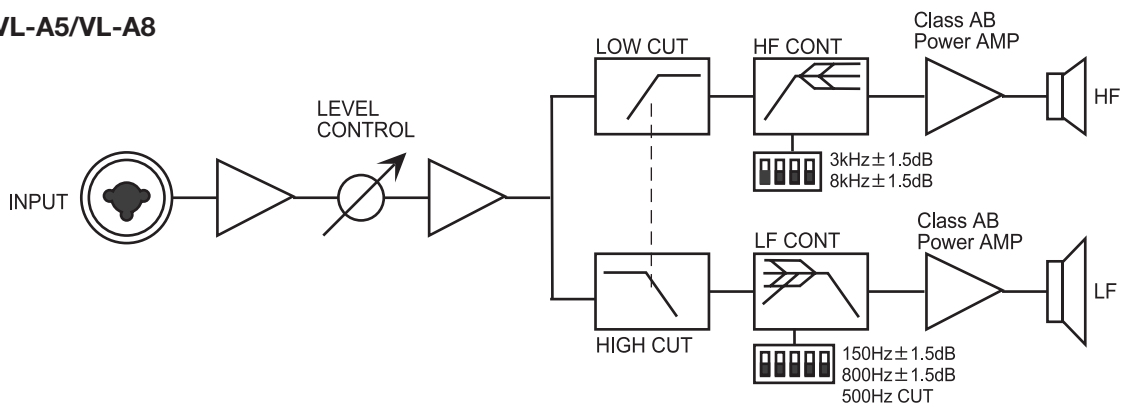
日本語

Block Diagram

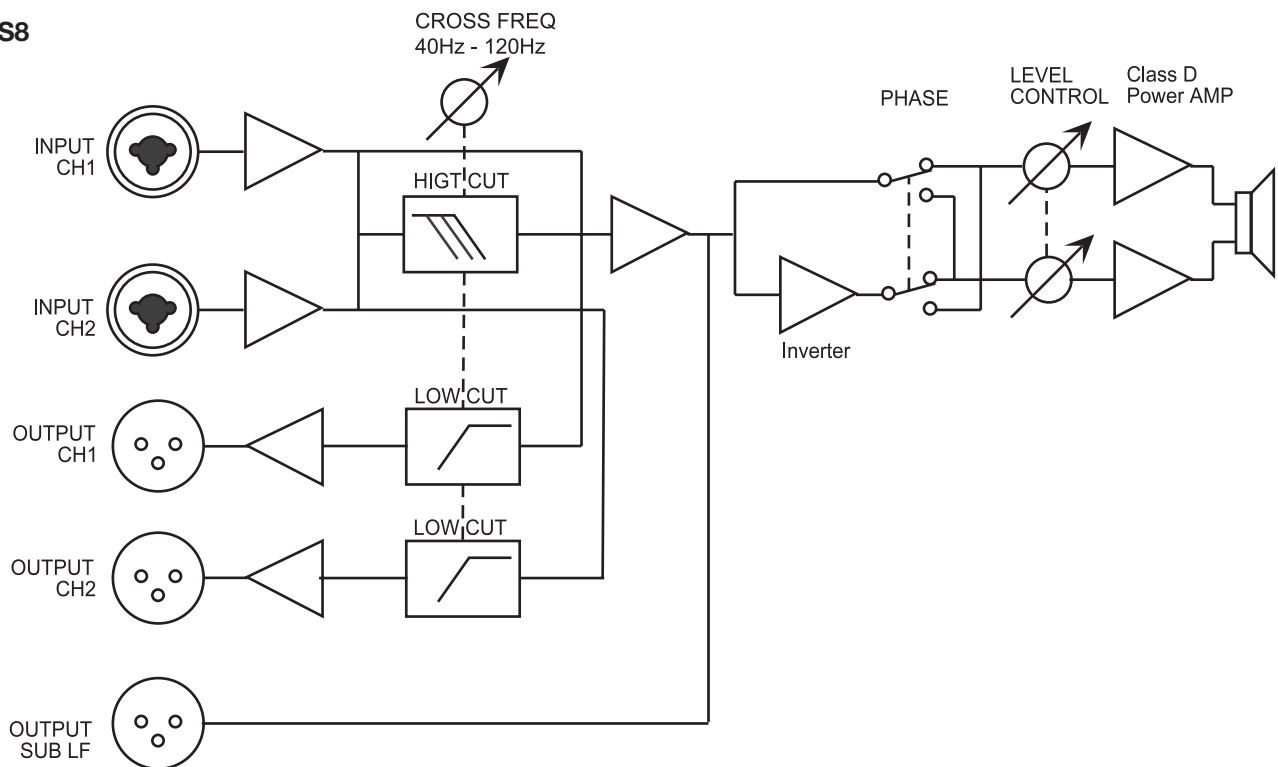
VL-A4



VL-A5/VL-A8



LF-S8



ENGLISH

DEUTSCH

FRANÇAIS

ITALIANO

ESPAÑOL

日本語

ENGLISH

DEUTSCH

FRANÇAIS

ITALIANO

ESPAÑOL

日本語

Note

ENGLISH

DEUTSCH

FRANÇAIS

ITALIANO

ESPAÑOL

日本語

ENGLISH

DEUTSCH

FRANÇAIS

ITALIANO

ESPAÑOL

日本語

TASCAM

TEAC Professional Division

VL-A4/VL-A5/VL-A8/LF-S8

TEAC CORPORATION

Phone: +81-42-356-9143

1-47, Ochiai, Tama-shi, Tokyo 206-8530, Japan

www.tascam.com

TEAC AMERICA, INC.

Phone: +1-323-726-0303

7733 Telegraph Road, Montebello, California 90640 U.S.A.

www.tascam.com

TEAC CANADA LTD.

Phone: +1905-890-8008 Facsimile: +1905-890-9888

5939 Wallace Street, Mississauga, Ontario L4Z 1Z8, Canada

www.tascam.com

TEAC MEXICO, S.A. de C.V

Phone: +52-55-5010-6000

Rio Churubusco 364, Colonia Del Carmen, Delegación Coyoacán, CP 04100, México DF, México

www.tascam.com

TEAC UK LIMITED

Phone: +44-8451-302511

Suites 19 & 20, Buildig 6, Croxley Green Business Park, Hatters Lane, Watford, Hertfordshire. WD18 8TE, U.K.

www.tascam.co.uk

TEAC EUROPE GmbH

Phone: +49-611-71580

Bahnstrasse 12, 65205 Wiesbaden-Erbenheim, Germany

www.tascam.de