



Spec Sheet

DSA-M2

Pole mount adapter for DVA Mini modules.

Applications

- Portable PA, clubs, ballrooms, houses of worship, convention centres, live theatres

Features

- Metal bracket to mount one DVA M2M and one DVA M2S on a speaker stand tripod or a pole

Description

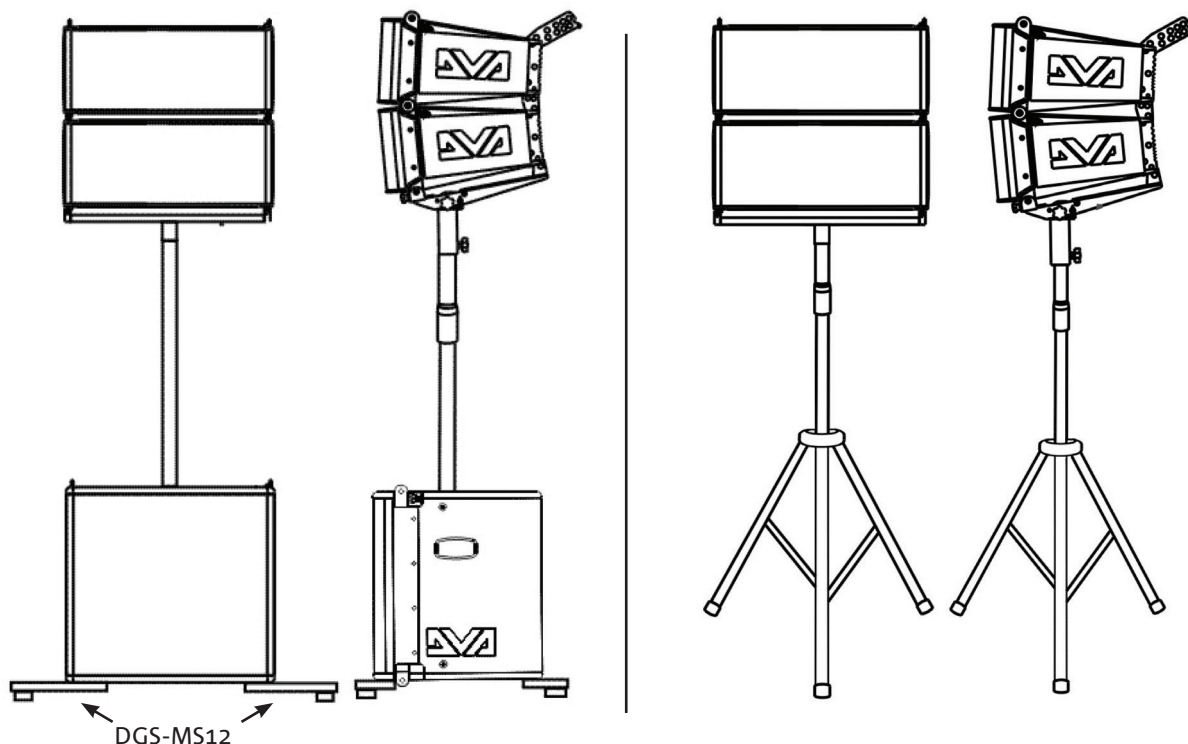
The DSA-M2 is a bracket adapter for tripod speaker stand or pole for mounting on a

subwoofer. The bracket is designed to safely withstand a load not exceeding one M2M and one M2S module.

It is completely compatible with the quick-locking system of DVA MINI tops and subs, allowing the adjustment of the coverage angle of the two satellites on it and get the best sonic performance in any environment.

DSA-M2 is usable on any tripod speaker stand or pole with a diameter of 35mm. In the case of using one DVA M2M and a DVA M2S on a DVA MS12 subwoofer, you can increase the stability of the system by using the DGS-MS12 accessory under the subwoofer and not exceeding a distance between the subwoofer and the lower satellite of 115cm.

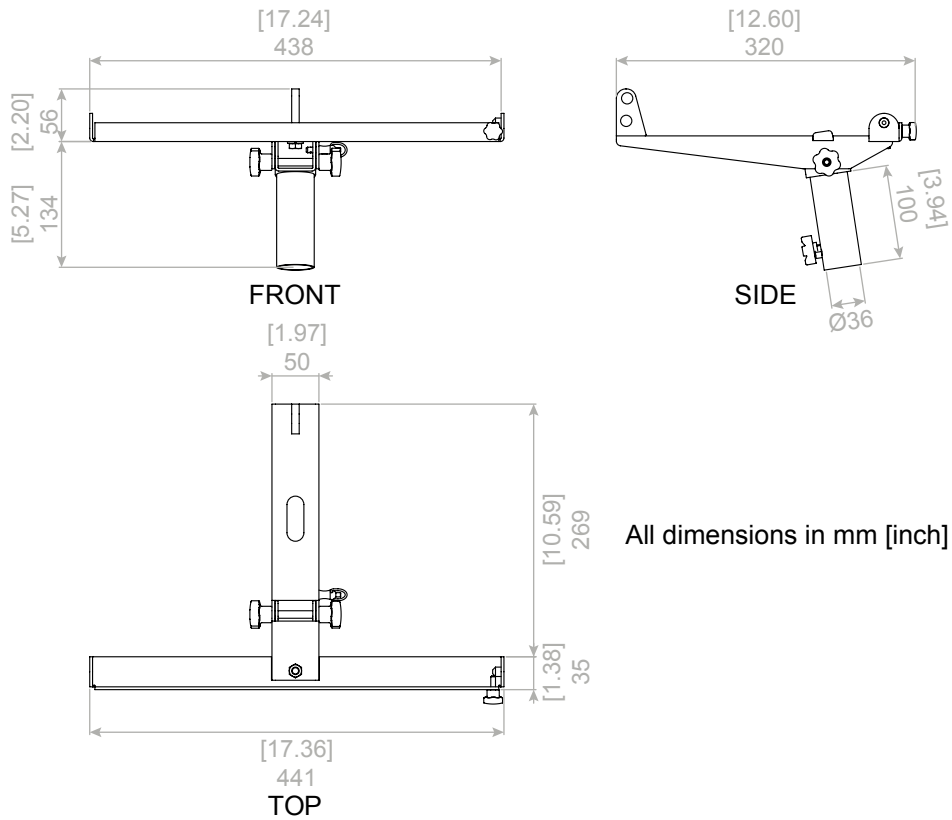
Installation Example



DSA-M2

Technical Specifications

Overall Dimensions



All dimensions in mm [inch]