

# TASCAM®

4-channel AES/EBU Input/Output Dante Converter with built-in DSP Mixer

## AE-4D



### Dante Compact Processor series

Providing versatility, flexibility and expandability by combining multiple DCP units.



4 AES/EBU input/output Dante converter to respond to various needs of contractor market and professional audio scene.

Dante  
4x4

Compatible with Dante Domain Manager,  
and Dante AES67 Mode

AES/EBU  
In x4

AES/EBU  
Out x4

24-bit  
96kHz

PoE  
Power over Ethernet





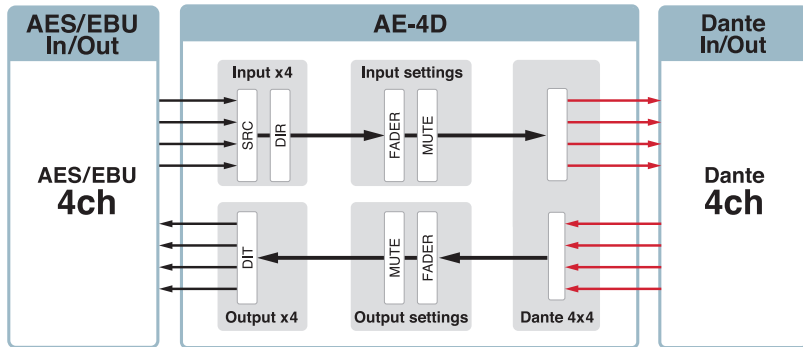
## AE-4D

4-ch AES/EBU Input/Output Dante Converter with built-in DSP Mixer



### Compact 1U half-rack size processor series for Dante system

The AE-4D is a compact converter that mutually converts AES/EBU signals and 4-channel Dante signals. With half the size of a standard 1U rack, the AE-4D is suitable for different Dante systems as an AES/EBU input/output unit. The built-in DSP mixer enables small scale systems to fully perform with a variety of input/output models using the TASCAM Dante Compact Processor Series. AE-4D supports up to 96kHz/24bit and uses XLR connectors for AES/EBU output.



### 4 AES/EBU output, 4 Dante input/output

The AE-4D is a simple yet powerful converter that converts 4-channel AES/EBU input signals into 4-channel Dante output signals, or 4-channel Dante input signals into 4-channel AES/EBU input signals.

### Introducing a wide range of digital equipment into a Dante system

Often used in PA/SR and pro audio environments, digital equipment compatible with AES/EBU format can be used on Dante systems. The AE-4D also includes a sampling rate converter, which enables different AES/EBU sources to be used on a Dante system.

### PoE supported

Power can be provided to the unit via PoE (Power over Ethernet). No need for AC adapters; power supply construction and installation costs can be reduced by using a PoE compatible network switch.

### Remote control via control software

Controlling effects or the matrix mixer can be easily done through the dedicated control software; depending on the amount of controls the user needs, there are two types:

- TASCAM DCP CONNECT  
Designed for system integrators/managers that program the configuration and settings of an entire system.
- TASCAM EZ CONNECT  
Designed for end-users and allowing them to use simple controls.

### Other features

- Supports Dante Domain Manager, and AES67 Mode
- Supports Dante daisy chain connection
- 50 Scene presets triggered by SNTP-based Timer events
- Installable according to usage/environment

### Specifications

Operating power:	PoE Class0 Optional AC Adapter (PS-S1220E)
Power consumption:	3W
Dimensions (WxHxD):	214 x 44.45 x 136.1 mm (inc. protrusions) 253 x 44.45 x 136.1 mm (with bracket)
Weight:	795g
Operating temperature:	0 to 40°C / 32 to 104°F

### Option

- PS-1220E (AC Adapter)
- AK-RS1 (Rack Shelf)

### Series Lineup

- MM-4D/IN-E (MIC/LINE 4 IN, Dante 4x4, Euro Block)
- MM-4D/IN-X (MIC/LINE 4 IN, Dante 4x4, XLR)
- ML-4D/OUT-E (LINE 4 Out, Dante 4x4, Euro Block)
- ML-4D/OUT-X (LINE 4 Out, Dante 4x4, XLR)
- MM-2D-E (MIC/LINE 2 IN, LINE 2 OUT, Dante 4x4, Euro Block)
- MM-2D-X (MIC/LINE 2 IN, LINE 2 OUT, Dante 4x4, XLR)

### Related Software

- TASCAM DCP CONNECT  
Control software for system integrators/managers that handle the configuration and settings of an entire system, supports Windows, macOS, Android, and iOS.  
(Free download)



- TASCAM EZ CONNECT  
Control software for end-users supports Windows, macOS, Android, and iOS.  
(Free downloads)



## TEAC CORPORATION

10410 Pioneer Blvd. Unit #1  
Santa Fe Springs, CA 90670  
323 726 0303  
tascam.com

# TASCAM®