

TASCAM®

4-Channel Line Output Dante Converter with built-in DSP Mixer

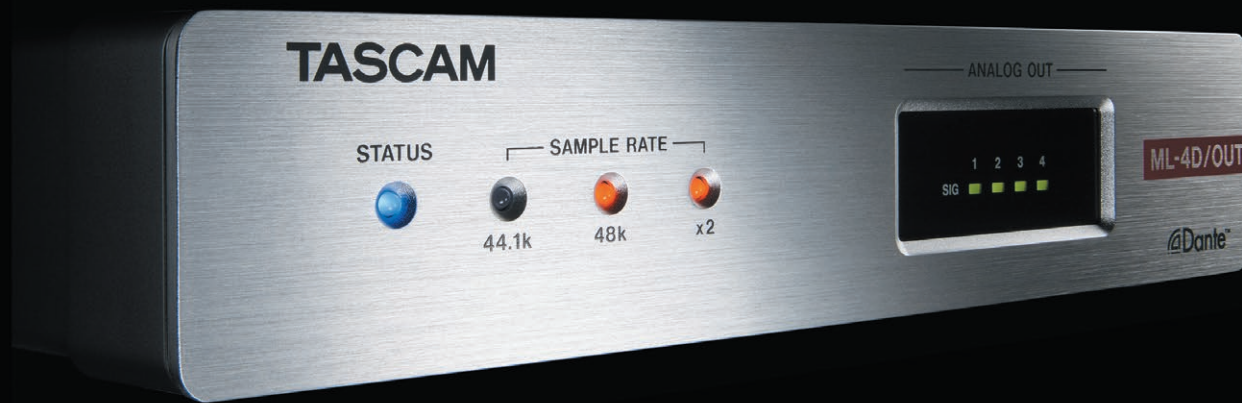
EuroBlock Model **ML-4D/OUT-E**

XLR Model **ML-4D/OUT-X**



Dante Compact Processor series

Providing versatility, flexibility and expandability by combining multiple DCP units.



Built-in DSP 4 Line output Dante converter to respond to various needs of contractor market and professional audio scene.

Dante
4x4

Compatible with Dante Domain Manager, and Dante AES67 Mode

LINE
Out x4

24-bit
96kHz

PoE
Power on Ethernet

on-Board
DSP

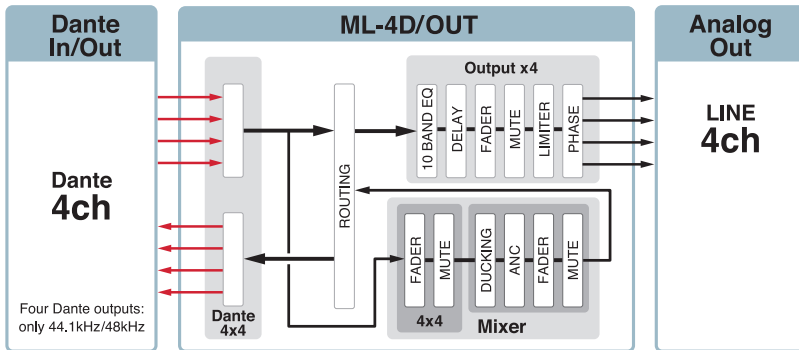
4 IN/4 OUT
Matrix Mixer





Compact 1U half-rack size processor series for Dante system

The ML-4D/OUT is a compact converter that turns Dante input signals into 4-channel line output signals. With half the size of a standard 1U rack, the ML-4D/OUT is suitable for different Dante systems as an exquisite analog output unit. The built-in DSP mixer enables small scale systems to fully perform with a variety of input/output models the TASCAM Dante Compact Processor Series offers. ML-4D/OUT also supports up to 96kHz/24bit. Available with EuroBlock connector model (ML-4D/OUT-E) and XLR connector model (ML-4D/OUT-X).



Built-in 4 in/4 out matrix mixer

Using the built-in matrix mixer, users can mix 4-channel Dante inputs and configure settings on each of the four output zones. The matrix mixer is also equipped with a ducking function and an ambient noise compensator function, which detects the level of environmental sounds and automatically adjusts the input level of the source.



Input/output routing

Flexible routing allows users to choose the output zone of 4 Dante inputs or the built-in matrix mixer as 4 line output and/or 4 Dante output. The ML-4D/OUT can be also used as a simple line output unit by bypassing the matrix mixer.



10 band EQ and a variety of output effects included

10 band EQ, bypass filter, low pass filter, delay, and limiter effects included. They can be finely adjusted depending on the powered speakers, or to the environment in which the unit is used.



- 8 band parametric EQ
- High pass filter / low shelving EQ
- Low pass filter / high shelving EQ



10 band EQ



Delay

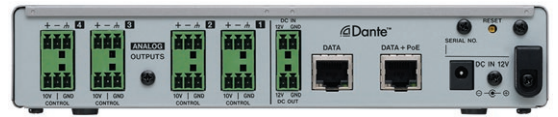
Other features

- Supports Dante Domain Manager, and AES67 Mode
- 50 Scene presets triggered by SNTP-based Timer events
- Supports PoE
- Remote control via control software
- Installable according to usage/environment

Please note that not all models and colors are available in every country. Design and specifications subject to change without notice. ©2019 TEAC Corporation. All Rights Reserved. All text, images, graphics and other materials on this brochure are subject to the copyright and other intellectual property rights of TEAC Corporation. These materials shall not directly or indirectly be published, reproduced, modified or distributed in any medium. TEAC and TASCAM are trademarks or registered trademarks of TEAC Corporation. Dante is a trademark of Audinate Pty Ltd. Other brands and product names are trademarks or registered trademarks of respective owners.

Authorized Distributors

EuroBlock Model **ML-4D/OUT-E** 4-ch Line Output Dante Converter with built-in DSP Mixer



XLR Model **ML-4D/OUT-X** 4-ch Line Output Dante Converter with built-in DSP Mixer



Specifications

Audio performance (DANTE IN → LINE OUT)

- Frequency response: 20Hz to 20kHz (Fs=44.1kHz/48kHz) (±0.5dB)
- THD (THD+N): 0.002% or less
- Signal-to-Noise ratio: 108dBu or higher
- Cross talk: 100dBu or higher
- Dynamic range: 108dBu or higher
- Operating power: PoE Class0
Optional AC Adapter (PS-S1220E)
- Power consumption: 4W
- Dimensions (WxHxD): 214 x 44.45 x 136.1 mm (inc. protrusions)
253 x 44.45 x 136.1 mm (with bracket)
- Weight: 863g
- Operating temperature: 0 to 40°C / 32 to 104°F

Option

- PS-1220E (AC Adapter)
- AK-RS1 (Rack Shelf)

Series Lineup

- MM-4D/IN-E (LINE 4 IN, Dante 4x4, Euro Block)
- MM-4D/IN-X (LINE 4 IN, Dante 4x4, XLR)
- AE-4D (AES/EBU 4 IN, Dante 4x4)
- MM-2D-E (MIC/LINE 2 IN, LINE 2 OUT, Dante 4x4, Euro Block)
- MM-2D-X (MIC/LINE 2 IN, LINE 2 OUT, Dante 4x4, XLR)

Related Software

- TASCAM DCP CONNECT
Control software for system integrators/managers that handle the configuration and settings of an entire system, supports Windows, macOS, Android, and iOS.
(Free download)
- TASCAM EZ CONNECT
Control software for end-users supports Windows, macOS, Android, and iOS.
(Free downloads)



TASCAM®

TEAC CORPORATION

1-47, Ochiai, Tama-shi, Tokyo 206-8530, Japan

<https://tascam.jp/int>

ISSUED IN JAPAN 1902 D7321